

## SLS

Scheepsladderbaan, daal-/stijgstuk, hoogte = 30 mm

scheepsladderbaan, stijg/vervalstuk 90 graden

### Walsblank

Product	H	B	R	G
SLS 075B	30 mm	75 mm	150 mm	0,9 kg
SLS 100B	30 mm	100 mm	150 mm	1 kg
SLS 150B	30 mm	150 mm	150 mm	1 kg
SLS 200B	30 mm	200 mm	150 mm	1,3 kg
SLS 250B	30 mm	250 mm	150 mm	1,5 kg
SLS 300B	30 mm	300 mm	150 mm	1,7 kg
SLS 400B	30 mm	400 mm	150 mm	2,8 kg
SLS 500B	30 mm	500 mm	150 mm	3,3 kg

### Thermisch verzinkt volgens BS 729 (DIN EN ISO 1461)

Product	H	B	R	G
SLS 075F	30 mm	75 mm	150 mm	0,9 kg
SLS 100F	30 mm	100 mm	150 mm	1 kg
SLS 150F	30 mm	150 mm	150 mm	1 kg
SLS 200F	30 mm	200 mm	150 mm	1,3 kg
SLS 250F	30 mm	250 mm	150 mm	1,5 kg
SLS 300F	30 mm	300 mm	150 mm	1,7 kg
SLS 400F	30 mm	400 mm	150 mm	2,8 kg
SLS 500F	30 mm	500 mm	150 mm	3,3 kg



## Gezandstraald en gegrond

Product	H	B	R	G
SLS 075M	30 mm	75 mm	150 mm	0,9 kg
SLS 100M	30 mm	100 mm	150 mm	1 kg
SLS 150M	30 mm	150 mm	150 mm	1 kg
SLS 200M	30 mm	200 mm	150 mm	1,3 kg
SLS 250M	30 mm	250 mm	150 mm	1,5 kg
SLS 300M	30 mm	300 mm	150 mm	1,7 kg
SLS 400M	30 mm	400 mm	150 mm	2,8 kg
SLS 500M	30 mm	500 mm	150 mm	3,3 kg

## Thermisch verzinkt volgens BS 729 (DIN EN ISO 1461)

Product	H	B	R	G
SLS 75-HDG	30 mm	75 mm	150 mm	0,90 kg
SLS 100-HDG	30 mm	100 mm	150 mm	1,00 kg
SLS 150-HDG	30 mm	150 mm	150 mm	1,00 kg
SLS 200-HDG	30 mm	200 mm	150 mm	1,30 kg
SLS 300-HDG	30 mm	300 mm	150 mm	1,70 kg
SLS 400-HDG	30 mm	400 mm	150 mm	2,80 kg
SLS 500-HDG	30 mm	500 mm	150 mm	3,30 kg

## Roestvrij staal, volgens ASTM 304 / BS 304 S 3

Product	H	B	R	G
SLS 75-304	30 mm	75 mm	150 mm	1,52 kg
SLS 100-304	30 mm	100 mm	150 mm	1,65 kg
SLS 150-304	30 mm	150 mm	150 mm	1,85 kg
SLS 200-304	30 mm	200 mm	150 mm	2,1 kg
SLS 300-304	30 mm	300 mm	150 mm	2,5 kg
SLS 400-304	30 mm	400 mm	150 mm	2,95 kg
SLS 500-304	30 mm	500 mm	150 mm	3,35 kg

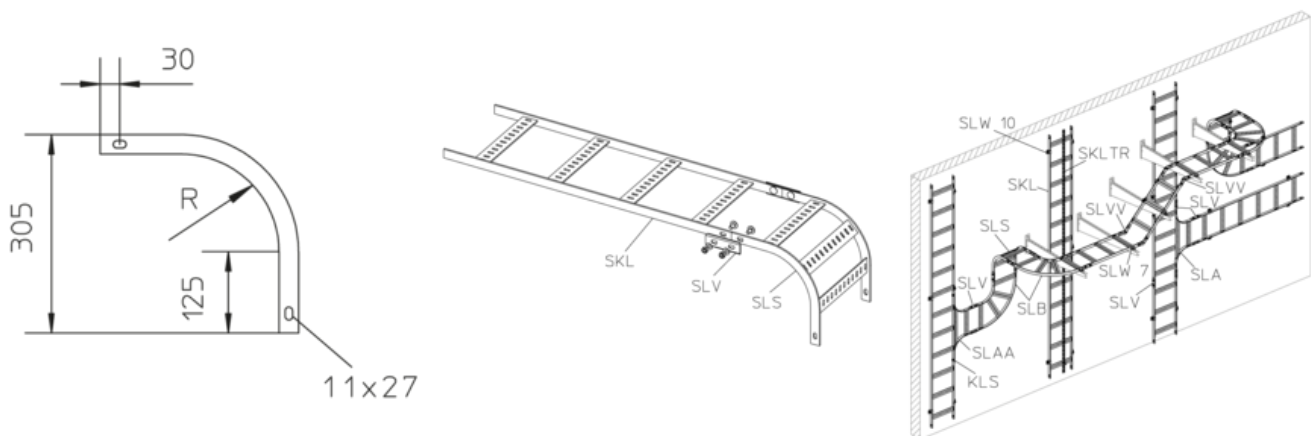


Roestvrij staal volgens ASTM 31 Ti / AISI 316 L, BS 320S17 / BS 316S11

Product	H	B	R	G
SLS 75-316	30 mm	75 mm	150 mm	0,9 kg
SLS 100-316	30 mm	100 mm	150 mm	1 kg
SLS 150-316	30 mm	150 mm	150 mm	1 kg
SLS 200-316	30 mm	200 mm	150 mm	1,3 kg
SLS 300-316	30 mm	300 mm	150 mm	1,7 kg
SLS 400-316	30 mm	400 mm	150 mm	2,8 kg
SLS 500-316	30 mm	500 mm	150 mm	3,3 kg

**H:** hoogte  
**B:** breedte  
**R:** radius  
**G:** gewicht

## DETAILS / TOEPASSINGEN



## OPTIONELE TOEBEHOREN

SLW, SLV, SLVV

