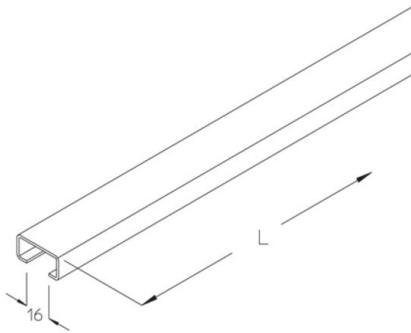


B 7

montageprofiel 30x15 mm, niet geperforeerd

montageprofiel 30x15x1,50 mm, zonder perforatie, sleufmaat 16 mm



Walsblank

| Product | H | B | L | t | G |
|---------|-------|-------|---------|---------|--------|
| B 7-30B | 15 mm | 30 mm | 3000 mm | 1,50 mm | 2,2 kg |
| B 7-60B | 15 mm | 30 mm | 6000 mm | 1,50 mm | 4,4 kg |

Continu thermisch verzinkt (Senzimir-techniek) (DIN EN 10346)

| Product | H | B | L | t | G |
|---------|-------|-------|---------|---------|--------|
| B 7-30S | 15 mm | 30 mm | 3000 mm | 1,50 mm | 2,3 kg |
| B 7-60S | 15 mm | 30 mm | 6000 mm | 1,50 mm | 4,5 kg |

Thermisch verzinkt volgens BS 729 (DIN EN ISO 1461)

| Product | H | B | L | t | G |
|---------|-------|-------|---------|---------|--------|
| B 7-30F | 15 mm | 30 mm | 3000 mm | 1,50 mm | 2,4 kg |
| B 7-60F | 15 mm | 30 mm | 6000 mm | 1,50 mm | 4,8 kg |

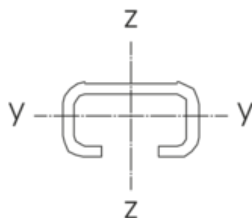
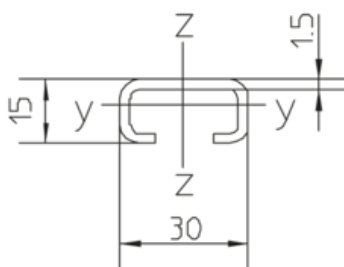
Roestvrij staal, volgens ASTM 304 / BS 304 S 3



| Product | H | B | L | t | G |
|---------|-------|-------|---------|---------|--------|
| B 7-30E | 15 mm | 30 mm | 3000 mm | 1,50 mm | 2,2 kg |
| B 7-60E | 15 mm | 30 mm | 6000 mm | 1,50 mm | 4,4 kg |

H: hoogte
B: breedte
L: lengte
t: materiaaldikte
G: gewicht

DETAILS / TOEPASSINGEN



$$\begin{aligned}
 W_y &= 0.32 \text{ cm}^3 \\
 W_z &= 0.83 \text{ cm}^3 \\
 I_y &= 0.30 \text{ cm}^4 \\
 I_z &= 1.26 \text{ cm}^4
 \end{aligned}$$

OPTIONELE TOEBEHOREN

HS16, AM16

