

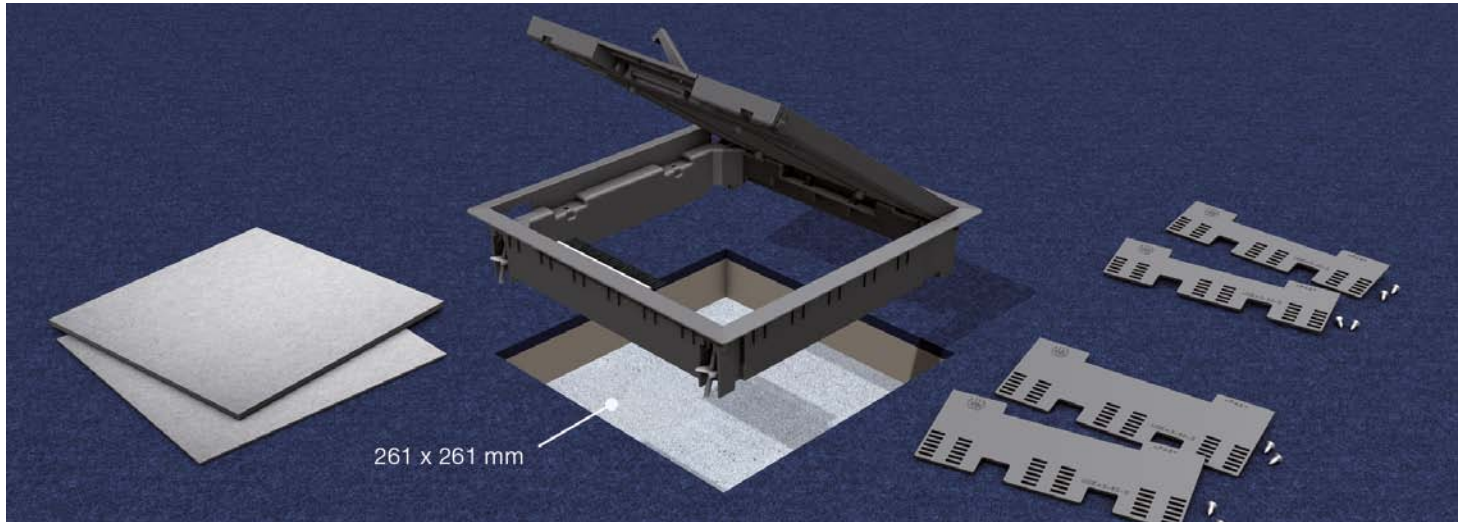


**Brush installation units
made of plastic, quadrangular**
Assembly instruction

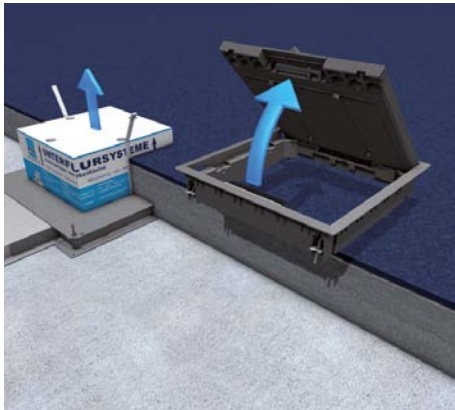


Brush installation units made of plastic, quadrangular

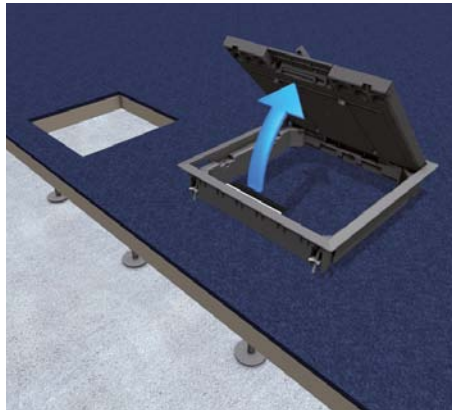
Assembly instruction



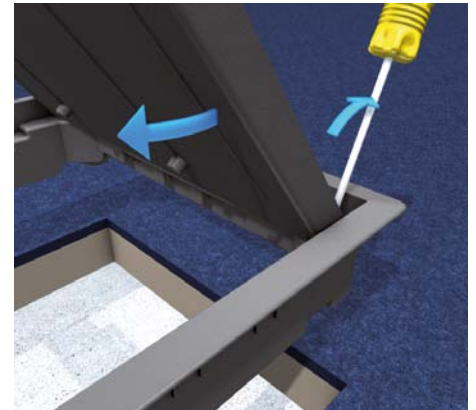
Quadrangular installation unit with a brush cable outlet and external dimensions of 280 x 280 mm for the installation of up to three device cups. For floor cover depths of 10, 8, 5, and 3 mm. Lock-in leads of 50 or 80 mm needed for complementation.



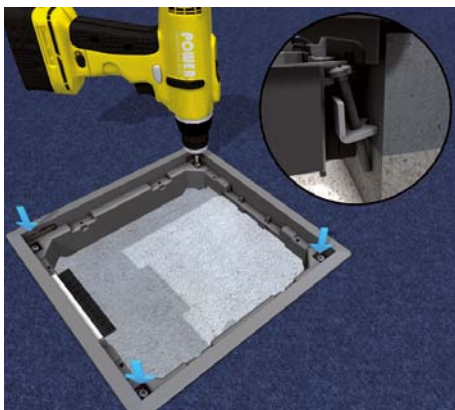
1 | Screed floors
In case you chose a screed-covered system remove shuttering field and insert installation unit directly into the installation opening.



2 | Hollow floors and raised floors
For hollow or raised floors insert installation unit directly into the installation opening.



3 | Hinged cover removal
Open cover completely, pull firmly to the front on the right and release from the hinge using a screwdriver.



4 | Fastening the installation frame
Insert frame into installation opening from the top and tighten the pre-assembled claws with a crosshead screw. Check to ensure the frame fits tightly.



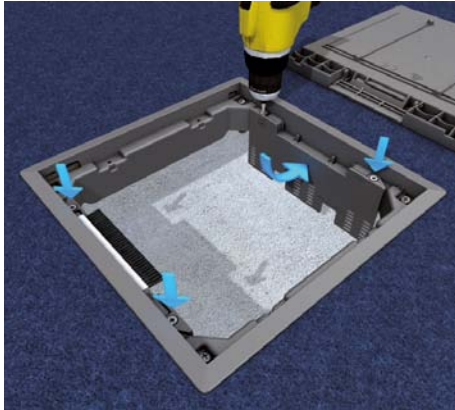
5 | Claws
Custom-made applications require the use of claw UDKS 40-80. If that is the case, the pre-assembled claws are removed and replaced. Turn claw body so that the frame can be inserted from the top.



6 | The use of claws
The claws UDKS 40-80 stretch under the raised floor panel, into the screed or into the cover plate of the floor box.

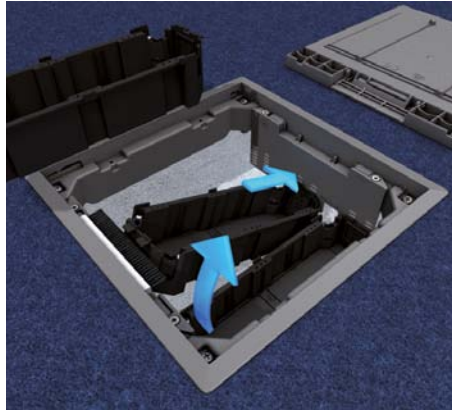
Brush installation units made of plastic, quadrangular

Assembly instruction



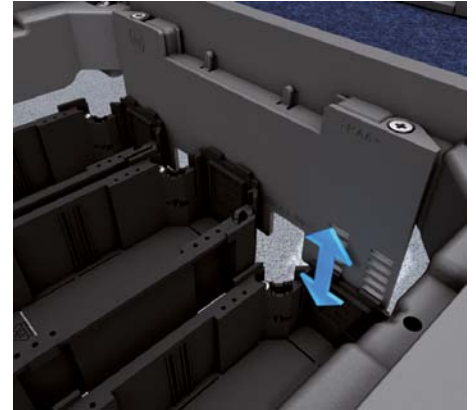
7 | The mounting of lock-in leads

The separately delivered lock-in leads can be inserted into the installation unit from the top and tightly screwed. For a flat installation the 50 mm lock-in lead must be used.



8 | Inserting the device cup

Latch the device cup as deeply into the lock-in lead as possible.



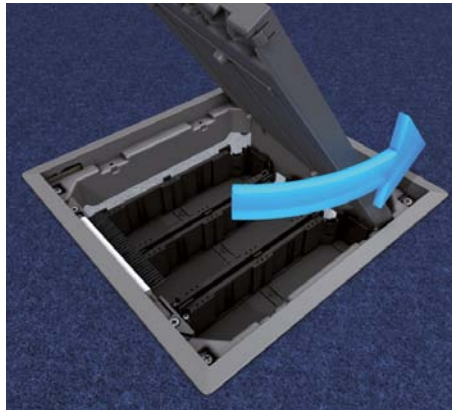
9 | Lock-in leads

Depending on the installation situation, lock-in leads of heights either 50 mm and 80 mm can be chosen. Device cups can be gradually lowered by up to 30 mm.



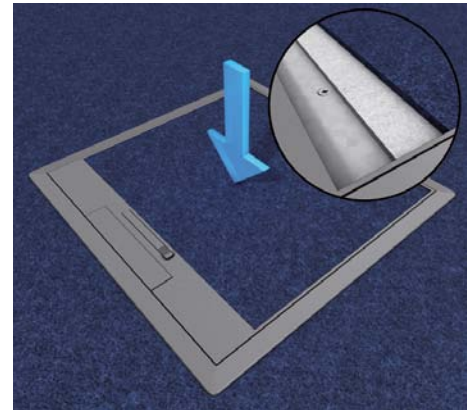
10 | Releasing the device cup

Insert screwdriver or mounting lever between frame and device cup. Release lugs on the side individually and remove device cup.



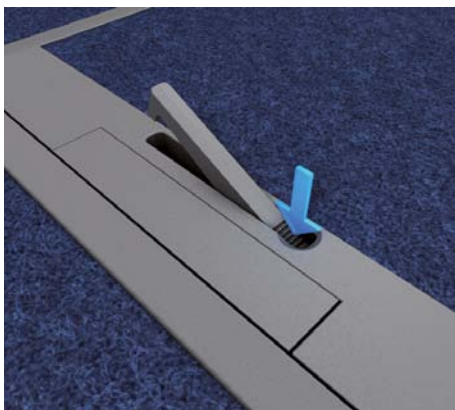
11 | Inserting the hinged cover

Insert hinged cover from the left back side, push firmly backwards on the right and latch in the hinge. The hinged cover can be inserted rotated by 180° and remains open in locking position.



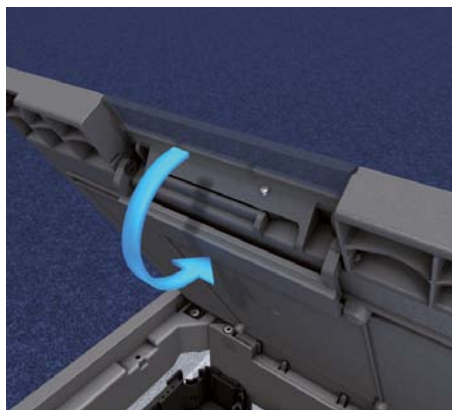
12 | Floor cover

Cut floor cover to no more than 10 mm from its precise fit and glue onto the steel reinforcement. Optionally, cover inlays in 2 mm or 5 mm thickness are available.



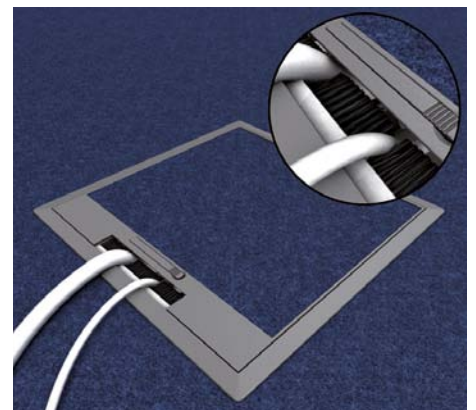
13 | Opening lever

Operate self-locking opening lever behind the cable outlet.



14 | Cable connection flap

Pan cable connection flap by 180° and latch it in.

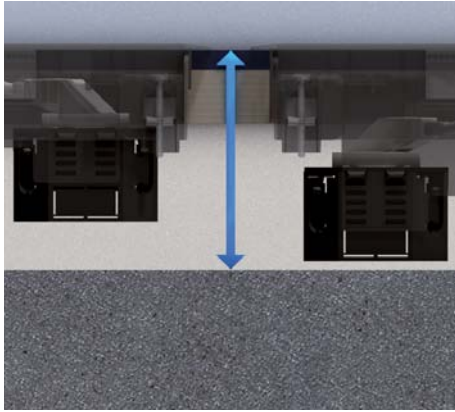


15 | Brush cable outlet

Lead out the cables through the open brush cable outlet.

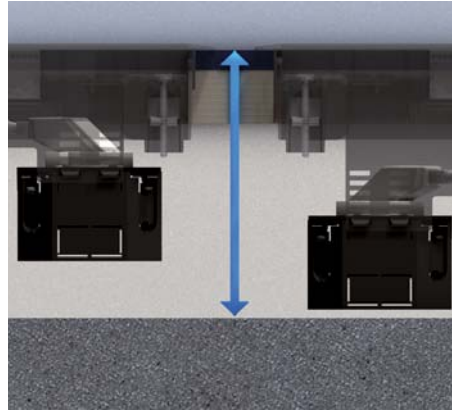
Brush installation units made of plastic, quadrangular

Assembly instruction



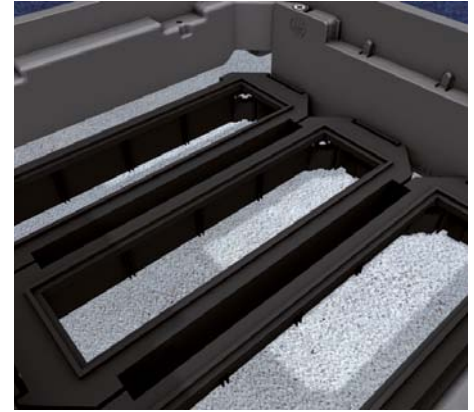
16 | Minimum installation height

Minimum installation height: 89 mm when using a 50 mm lock-in lead, respectively 109 mm when using a 80 mm lock-in lead, and in connection with coupler plugs up to H = 35 mm.



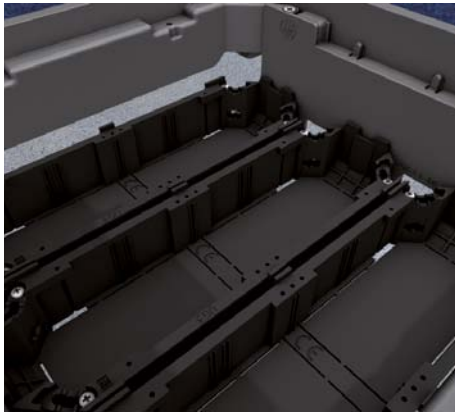
17 | Maximum installation height

Maximum installation height: 109 mm when using a 50 mm lock-in lead, respectively 134 mm when using a 80 mm lock-in lead.



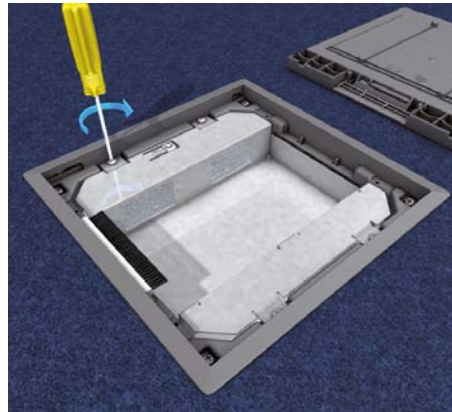
18 | The use of UG45

The device cup UG45-4 is suitable for using of installation devices measuring 45 x 45 mm or 45 x 22,5 mm. Minimum installation height: 82 mm when using the 50 mm lock-in lead, respectively 102 mm when using the 80 mm lock-in lead and in connection with coupler plugs up to H = 35 mm.



19 | The use of UG3

To achieve an even flatter installation depth, use our newly developed device cup UG3. Minimum installation height: 82 mm when using a 50 mm lock-in lead, respectively 102 mm when using an 80 mm lock-in lead and in connection with coupler plugs up to H = 35 mm.



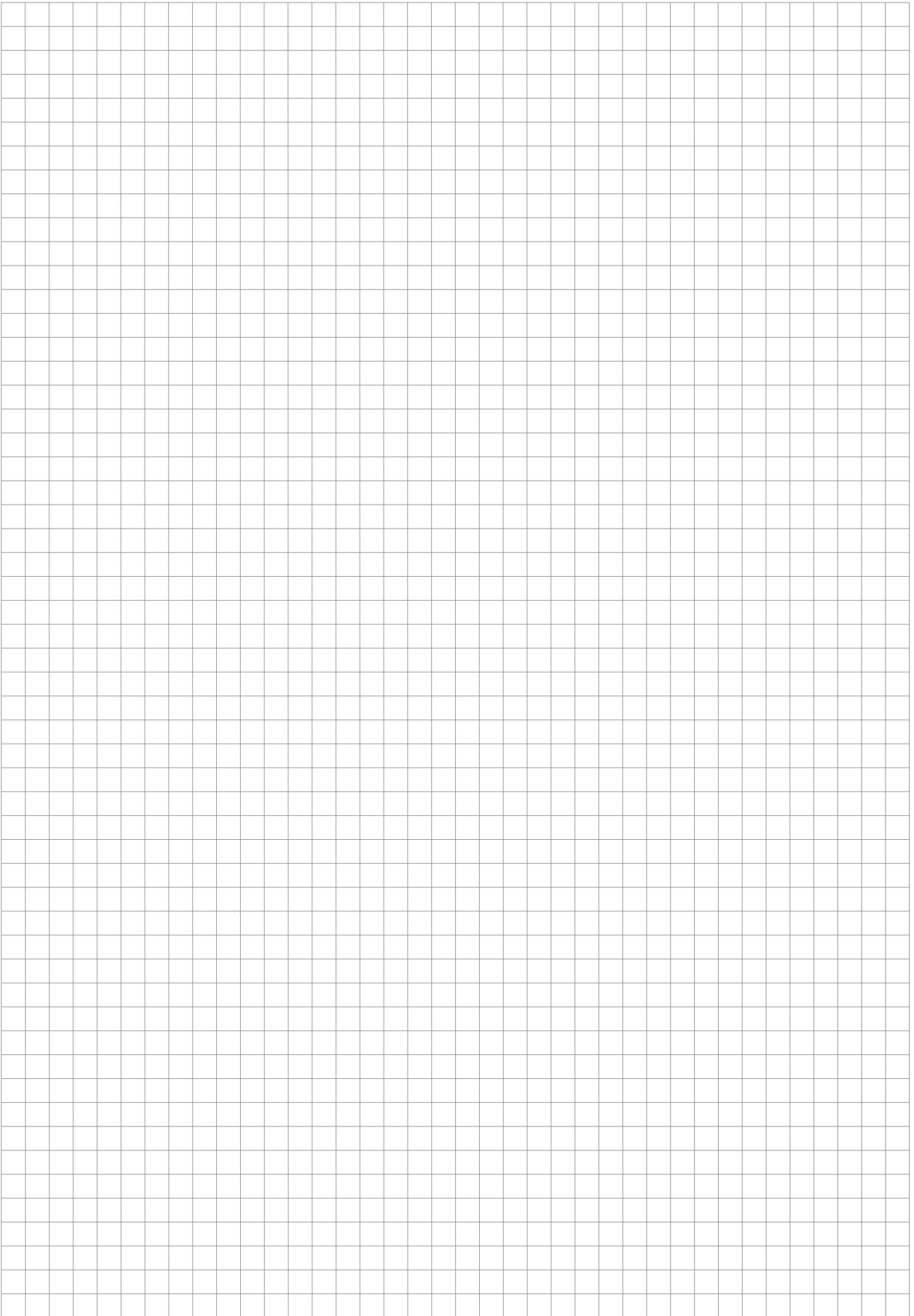
20 | Device insert

Place device insert into the installation unit from the top and tighten to the frame using four threaded screws. Minimum installation depth: 63 mm. Suitable for maximum two double sockets and up to six data modules. Install installation technology using boards.



21 | Data device carrier

Up to nine data modules can be installed in the data device carrier using boards in the installation unit. Minimum installation height: 96 mm when using a 50 mm lock-in lead, respectively 116 mm when using an 80 mm lock-in lead set. Use the lock-in lead considering the bending radius.





Errors and technical modification subject to change. Reproduction as well as electronic duplication only with our written permission. With appearance of this print all preceding documents lose their validity.

