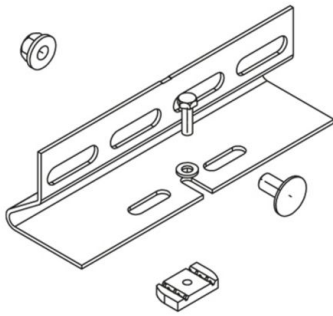


WPF-C 60

flange mounting clamp (C-profiles)



Hot-dip galvanized, according to BS 729 (DIN EN ISO 1461)

Product	G
WPF06-C-HDG	0,50 kg
incl.:	
1x KLS 8X16-304	clamp fastening set hexagon head bolt, DIN 933 channel nut, A 41, KHA 41, KHAL 41
1x SES 6X20-304	
1x AM22 M6-HDG	

G: weight

DETAILS / APPLICATIONS

