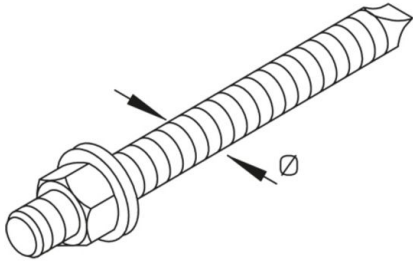


VAS-AS

shear connector rod, stone

load specifications are dependent on the ground. Manufacturer's information has to be observed strictly (ETA-10/0383).



galvanized, according to DIN EN ISO 19598 / DIN EN ISO 2081

| Product | L _{min} | D | Ø | t | G |
|--------------|------------------|-------|-------|---------|---------|
| VAS-AS 8/15 | 80 mm | 10 mm | 8 mm | 0-15 mm | 0,04 kg |
| VAS-AS 10/25 | 80 mm | 12 mm | 10 mm | 0-25 mm | 0,07 kg |
| VAS-AS 12/40 | 80 mm | 14 mm | 12 mm | 0-40 mm | 0,12 kg |

Stainless steel, according to ASTM 31 Ti / AISI 316 L, BS 320S17 / BS 316S11

| Product | L _{min} | D | Ø | t | G |
|----------------|------------------|-------|-------|---------|---------|
| VAS-AS 8/15E4 | 80 mm | 10 mm | 8 mm | 0-15 mm | 0,04 kg |
| VAS-AS 10/25E4 | 80 mm | 12 mm | 10 mm | 0-25 mm | 0,07 kg |
| VAS-AS 12/40E4 | 80 mm | 14 mm | 12 mm | 0-40 mm | 0,12 kg |

L_{min}: Minimum drilling depth

D: diameter

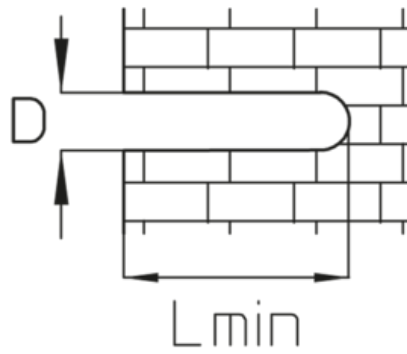
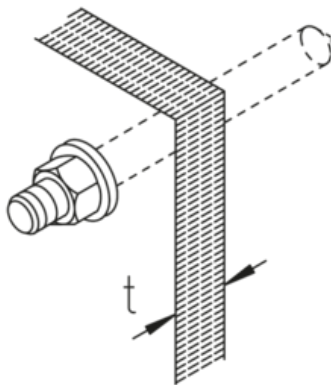
Ø: diameter

t: material thickness

G: weight

DETAILS / APPLICATIONS





OPTIONAL ACCESSORIES

VAS-BS, VAS-M, VAS-SH

