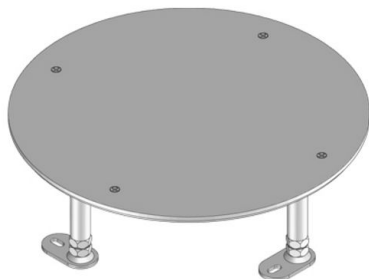


UNE 305R

dummy cover, triple, round



material	made of 4 mm hot-dip galvanized sheet steel
application area	dry-cleaned
norm	according to DIN EN 50085
permits	according to VDE / TÜV

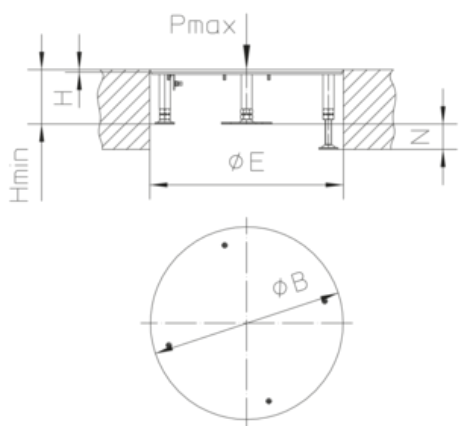
Continuously hot galvanized (Sendzimir process) (DIN EN 10346)

Product	H	H _{min}	N	B	E	P _{max}	G
UNE 305R-90S	4 mm	90 mm	55 mm	305 mm	307 mm	2 kN	3,25 kg

H: height
H_{min}: Minimum installation height
N: levelling range
B: width
E: fitting dimension
P_{max}: Maximum load
G: weight

DETAILS / APPLICATIONS





dry-cleaned

