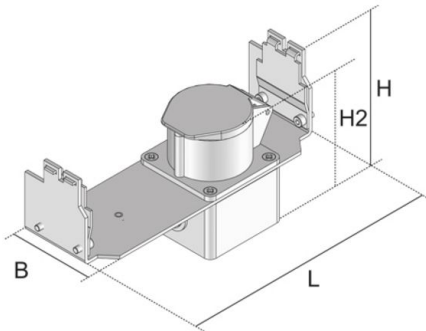


UGET CEE

device carrier CEE socket



Device carrier made of galvanized sheet steel with CEE socket and fastening clamps for installation into an installation unit. Central assembly instead of a mounting box. The use of an angled connector is recommended. Optional registering extension.

suitable for centered installation at appropriate registering leads

| | |
|------------------|--|
| material | Device carrier: sheet steel galvanized, Socket: plastic PA 6 |
| type of assembly | registering into installation units |
| colour | Socket: casing light grey, cover red |
| norm | DIN EN 60309, DIN EN 50085 |
| permits | according to VDE / TÜV |

Continuously hot galvanized (Sendzimir process) (DIN EN 10346)

| Product | H | H2 | H _{min} | B | L | G |
|----------------|--------|--------|------------------|-------|--------|---------|
| UGET-CEE16 226 | 122 mm | 115 mm | 185 mm | 75 mm | 236 mm | 0,9 kg |
| UGET-CEE32 226 | 122 mm | 120 mm | 210 mm | 75 mm | 236 mm | 0,96 kg |

H: height
H2: height
H_{min}: Minimum installation height
B: width
L: length
G: weight

OPTIONAL ACCESSORIES

UGEARL



