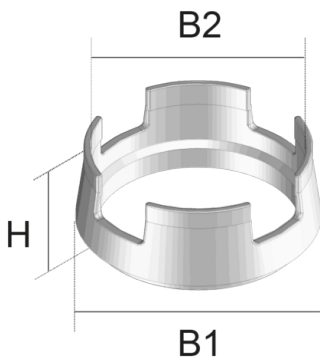


# UET112-R-MR

## Tube

Tube as a floor-projecting line outlet made of aluminum for screwing into a machine cleaning unit with tube mounting kit. Suitable for floors to be cleaned with floor cleaning machines. Designed for office traffic loads.



|                      |   |
|----------------------|---|
| Material             | Aluminum, natural anodized or stainless steel   |
| Mounting method      | Screw connection machine cleaning unit UEBDM MR |
| Range of application | wet maintained floor                            |
| Norm                 | according to DIN EN 50085                       |
| Approval             | according to VDE/TÜV                            |
| Accessories          | Tube lid UETD122                                |

### Aluminium

| Product     | H     | B1     | B2    | Farbe_Datenblatt | G       |
|-------------|-------|--------|-------|------------------|---------|
| UET112-R-WD | 39 mm | 112 mm | 94 mm | Aluminium        | 0,15 kg |

**H:** height  
**B1:** width  
**B2:** width  
**Farbe\_Datenblatt:** colour  
**G:** weight

