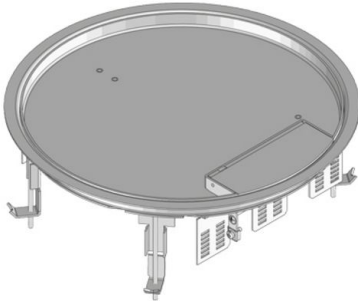


UEKDD R E

stainless steel hinged cover cartridge, triple, round



Round installation unit with floor protection frame made of stainless steel. As a cartridge installation frame with lock-in leads for the gradual lowering of up to 3 mounting boxes (9 coulter clip installation devices or 12 installation devices of 45x45 mm) by up to 30 mm, a self-closing hinged cover as cartridge with floor flush cable outlet and a self-closing opening lever, rubber seal and an all-purpose mounting claw set. For installation into floor boxes, assembly covers and raised or hollow floor openings. Suitable for rooms with dry and damp-cleaned floor covers. Designed for office traffic loads.



material	cartridge and frame: 2 mm high-grade steel V2A
type of assembly	Assembly in floor box UBDHB, double or hollow floor openings
application area	dry floor cleaning
protection class	in use IP 20 / not in use IP 30
norm	according to DIN EN 50085
permits	according to VDE / TÜV
loading	including inspection stamp Ø 13 / 130 mm: 2 / 3 kN

Stainless steel, according to ASTM 304 / BS 304 S 3

Product	H	H _{min}	B	E	T	P _{max}	IP _n	IP _g	G
UEKDD 15-R E	76 mm	90 mm	330 mm	307 mm	12 mm	2 kN	IP 30	IP 20	2,56 kg
incl.:									
4x UDBS 40-80				special claw					
1x UGD-R 10-2				rubber seal, round					
UEKDD 25-R E	86 mm	90 mm	330 mm	307 mm	22 mm	2 kN	IP 30	IP 20	2,82 kg
incl.:									
4x UDBS 40-80				special claw					
1x UGD-R 10-2				rubber seal, round					

H: height

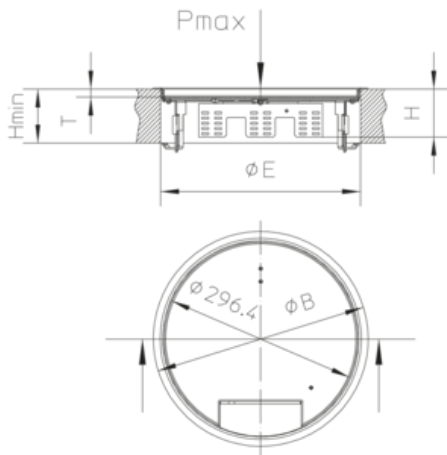
H_{min}: Minimum installation height

B: width



E: fitting dimension
T: depth
P_{max}: Maximum load
IP_n: IP protection level in unused condition
IP_g: IP protection level in used condition
G: weight

DETAILS / APPLICATIONS



OPTIONAL ACCESSORIES

UEKDE R



dry-cleaned

