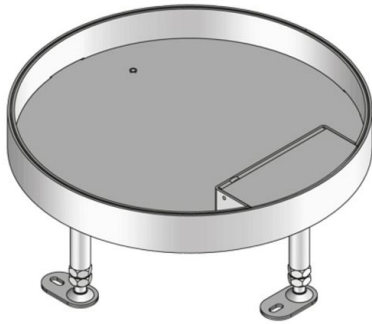


UEKD R E

stainless steel hinged cover unit, triple, round



Round cartridge made of stainless steel sheet with hem. As levelling cartridge installation frame with cable outlet cartridge, floor-level cable outlet, self-closing opening lever and rubber seal for the installation into floor boxes, assembly covers and raised or hollow floor openings. To accommodate up to 3 mounting boxes equipped with up to 9 suspension bracket installation devices or 12 installation devices of 45x45 mm. Suitable for rooms with dry and damp-cleaned floor covers. Designed for office traffic loads.

Please mind the technical information in chapter planning.



material	cartridge and frame: 2mm high-grade steel V2A, bottom plate: 3mm high-grade steel V2A
type of assembly	To be mounted in floor box UBDHB respectively hollow floors.
application area	dry floor cleaning
protection class	in use IP 20 / not in use IP 30
norm	according to DIN EN 50085
permits	according to VDE / TÜV
loading	including inspection stamp Ø 13 / 130 mm: 2 / 3 kN

Stainless steel, according to ASTM 304 / BS 304 S 3

Product	H	H _{min}	N	B	E	T	P _{max}	IP _n	IP _g	G	
UEKD 15-R E	21 mm	100 mm	55 mm	305 mm	307 mm	12 mm	2 kN	IP 30	IP 20	3,20 kg	
incl.:											
1x UGD-R 10-2					rubber seal, round						
UEKD 35-R E	38 mm	117 mm	55 mm	305 mm	307 mm	30 mm	2 kN	IP 30	IP 20	3,46 kg	
incl.:											
1x UGD-R 10-2					rubber seal, round						

H: height

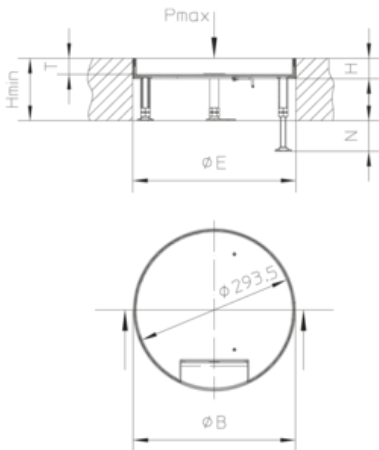
H_{min}: Minimum installation height

N: levelling range



B: width
E: fitting dimension
T: depth
P_{max}: Maximum load
IP_n: IP protection level in unused condition
IP_g: IP protection level in used condition
G: weight

DETAILS / APPLICATIONS



OPTIONAL ACCESSORIES

UEKDE R, UGEAR, UBDSLFL, UGM SLF



dry-cleaned

