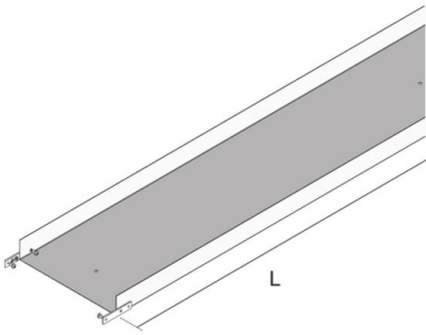


UEBSMSW

floor tub

Floor tub for screed-flush duct made of steel sheet including connector for the all-round shielded laying of cables.



Continuously hot galvanized (Sendzimir process) (DIN EN 10346)

Product	H _{min}	N	B	L	G
UEBSMSW 60-20S	60 mm	30 mm	200 mm	2000 mm	4,28 kg
UEBSMSW 60-30S	60 mm	30 mm	300 mm	2000 mm	5,85 kg
UEBSMSW 60-40S	60 mm	30 mm	400 mm	2000 mm	7,42 kg
UEBSMSW 60-50S	60 mm	30 mm	500 mm	2000 mm	8,99 kg
UEBSMSW 80-20S	80 mm	30 mm	200 mm	2000 mm	4,91 kg
UEBSMSW 80-30S	80 mm	30 mm	300 mm	2000 mm	6,48 kg
UEBSMSW 80-40S	80 mm	30 mm	400 mm	2000 mm	8,05 kg
UEBSMSW 80-50S	80 mm	30 mm	500 mm	2000 mm	9,62 kg
UEBSMSW 100-20S	100 mm	30 mm	200 mm	2000 mm	5,54 kg
UEBSMSW 100-30S	100 mm	30 mm	300 mm	2000 mm	7,11 kg
UEBSMSW 100-40S	100 mm	30 mm	400 mm	2000 mm	8,68 kg
UEBSMSW 100-50S	100 mm	30 mm	500 mm	2000 mm	10,25 kg
UEBSMSW 120-20S	120 mm	30 mm	200 mm	2000 mm	6,17 kg
UEBSMSW 120-30S	120 mm	30 mm	300 mm	2000 mm	7,74 kg
UEBSMSW 120-40S	120 mm	30 mm	400 mm	2000 mm	9,31 kg
UEBSMSW 120-50S	120 mm	30 mm	500 mm	2000 mm	10,87 kg

H_{min}: Minimum installation height

N: levelling range

B: width

L: length





G: weight

