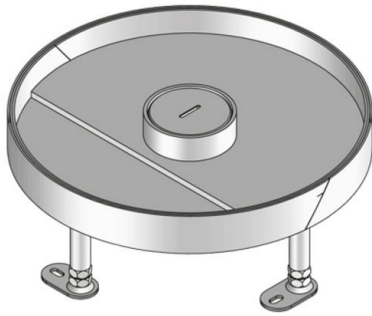


UEBDSM R WD

stainless steel heavy-duty tube cover unit, triple, round



Round cartridge made of stainless steel sheet with hem. As a levellable cartridge installation frame with a heavy-duty tube outlet cartridge, a screwed-on aluminum tube mounting set and a rubber seal for the installation into floor boxes, assembly covers and raised or hollow floor openings. To accommodate up to 3 mounting boxes equipped with up to 9 suspension bracket installation devices or 12 installation devices of 45x45 mm. Suitable for rooms with wet-cleaned floor covers. Designed for high traffic loads.

Please mind the technical information in chapter planning.



material	cartridge and frame: 2mm high-grade steel V2A, bottom plate: 3mm high-grade steel V2A, heavy-duty inlay: hot dip galvanized steel panel, tube mounting set: anodized aluminium
type of assembly	To be mounted in floor box UBDHB respectively hollow floors.
application area	wet floor cleaning
protection class	in use IP 22 / not in use IP 54
norm	according to DIN EN 50085
permits	according to VDE / TÜV
loading	including inspection stamp Ø 130 mm: 20 kN

Aluminium

Product	H	H _{min}	N	B	E	T	P _{max}	IP _n	IP _g	G
UEBDSM 35-R6-WD	38 mm	117 mm	55 mm	305 mm	307 mm	24 mm	20 kN	IP 54	IP 22	6,79 kg
incl.:										
1x UETD-R-WD					tube cover					
1x UGD-R 10-2					rubber seal, round					
1x UGDB15-R300 1.8					rubber seal, round					

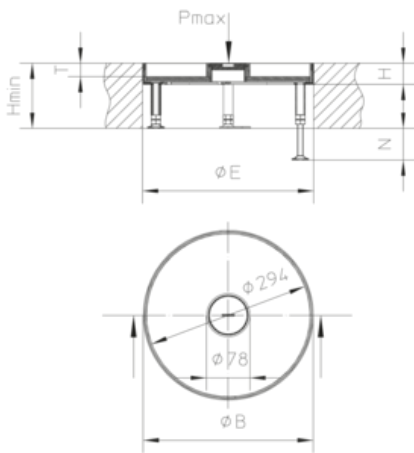
H: height

H_{min}: Minimum installation height



N: levelling range
B: width
E: fitting dimension
T: depth
P_{max}: Maximum load
IP_n: IP protection level in unused condition
IP_g: IP protection level in used condition
G: weight

DETAILS / APPLICATIONS



OPTIONAL ACCESSORIES

UGEAR, UET WD, UBDSLIF, UGM SLF



wet-cleaned

