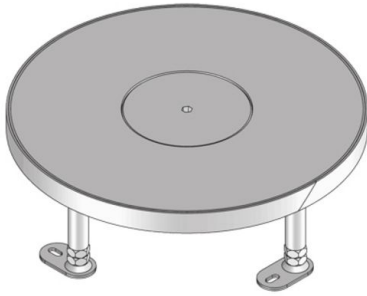


UEBDM RP WD

stainless steel tube cover unit, triple, round, plane



Round cartridge made of flat stainless steel, surface blasted, with hem. As a levelling cartridge installation frame with a tube outlet cartridge, screwed-on tube mounting set and a rubber seal for the installation into floor boxes, assembly covers and raised or hollow floor openings. To accommodate up to 3 mounting boxes equipped with up to 9 suspension bracket installation devices or 12 installation devices of 45x45 mm. Suitable for rooms with wet-cleaned floor covers. Designed for office traffic loads.

Please mind the technical information in chapter planning.



material	Cartridge, tube cover and frame: stainless steel
type of assembly	To be mounted in floor box UBDHB respectively hollow floors.
application area	wet floor cleaning
protection class	in use IP 22 / not in use IP 54
norm	according to DIN EN 50085
permits	according to VDE / TÜV
loading	including inspection stamp Ø13 / 130 mm: 4 / 10 kN

Stainless steel, according to ASTM 304 / BS 304 S 3

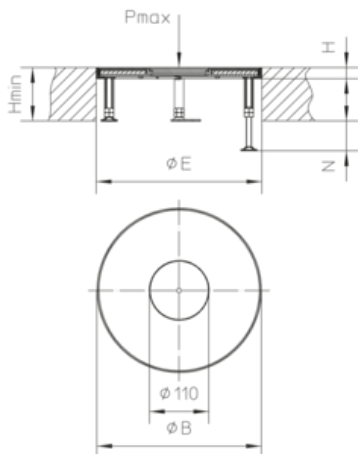
Product	H	H _{min}	N	B	E	P _{max}	IP _n	IP _g	G
UEBDM 15-RP-WD	21 mm	100 mm	55 mm	305 mm	307 mm	4 kN	IP 54	IP 22	3,30 kg
incl.:									
1x UETD112-R-WD					tube cover				
1x UGD-R 10-2					rubber seal, round				
1x UGDB15-R300 1.8					rubber seal, round				

H: height
H_{min}: Minimum installation height
N: levelling range
B: width
E: fitting dimension



P_{max}: Maximum load
IP_n: IP protection level in unused condition
IP_g: IP protection level in used condition
G: weight

DETAILS / APPLICATIONS



OPTIONAL ACCESSORIES

UET112 WD, UGEAR, UBDSLIF, UGM SLF



wet-cleaned

