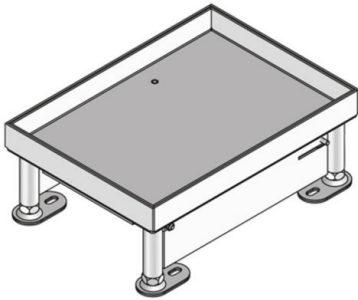


UEBD2 V E

stainless steel dummy cover unit, double, angular



Quadrangular cartridge unit made of stainless steel sheet with hem. As installation unit that can be levelled with dummy cartridge and rubber seal. For the installation into floor boxes and raised or hollow floor openings. Suitable for rooms with dry and damp-cleaned floor covers. Designed for office traffic loads.

Please mind the technical information in chapter planning.



material	cover and frame: high grade steel
type of assembly	Assembly in floor box UBDHB, double or hollow floor openings
application area	dry floor cleaning
protection class	not in use IP 30
norm	according to DIN EN 50085
permits	according to VDE / TÜV
loading	including inspection stamp Ø 13 mm: 1.5 kN

Stainless steel, according to ASTM 304 / BS 304 S 3

Product	H	H _{min}	N	B	L	E	T	P _{max}	IP _n	G
UEBD2 15-V E	19 mm	90 mm	45 mm	258 mm	184 mm	261 x 186 mm	12 mm	1,5 kN	IP 30	2,2 kg
UEBD2 25-V E	29 mm	100 mm	45 mm	258 mm	184 mm	261 x 186 mm	22 mm	1,5 kN	IP 30	2,5 kg

H: height

H_{min}: Minimum installation height

N: levelling range

B: width

L: length

E: fitting dimension

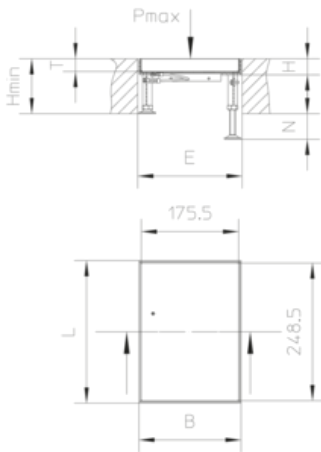
T: depth

P_{max}: Maximum load



IP_n: IP protection level in unused condition
G: weight

DETAILS / APPLICATIONS



OPTIONAL ACCESSORIES

UBDSLFL, UGM SLF



dry-cleaned

