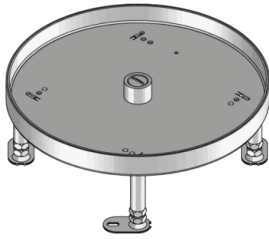


## UEBD R MR

Blind cassette unit, machine cleaning, 3-fold, round, levelable



Round cassette made of stainless steel sheet with butt edge. As a levelable cassette installation frame with blind insert cassette and rubber seal for installation in floor boxes, installation lids and double or cavity floor openings. For floors to be wet-cleaned with floor cleaning machines. Designed for office traffic loads.

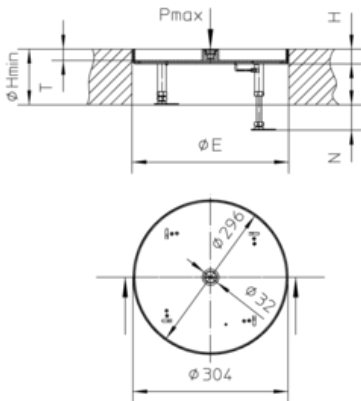
Material	Cassette: 2 mm stainless steel V2A, frame: 1.5 mm stainless steel V2A
Mounting method	Fastening in floor box UBDHB or double and cavity floors
Range of application	Wet cleaning of the floor
Norm	according to DIN EN 50085
Approval	according to VDE / TÜV
Degree of protection	not in use IP 66
Load	with test stamp Ø13/130 mm: 2/3 kN

Product	H	H <sub>min</sub>	N	B	E	T	P <sub>max</sub>	IP <sub>n</sub>	G
UEBD 25-R-MR	29 mm	110 mm	+ 55 mm	304 mm	307 mm	22 mm	2 kN	IP 66	2,56 kg

**H:** height  
**H<sub>min</sub>:** Minimum installation height  
**N:** levelling range  
**B:** width  
**E:** fitting dimension  
**T:** depth  
**P<sub>max</sub>:** Maximum load  
**IP<sub>n</sub>:** IP protection level in unused condition  
**G:** weight



## DETAILS / APPLICATIONS



## OPTIONAL ACCESSORIES

UBDSLFL, UGM SLF

