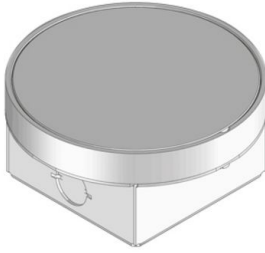


UBST R WD

cleaning socket, single, round, levelable



Round cleaning socket made of high-grade steel sheet with a hem. Incl. white single isolated ground receptacle. As levellable unit with tube cover, retainer box made of sheet steel. For direct installation in screed floors. Suitable for rooms with low floor build-up and wet-cleaned floor coverings. Designed for office traffic loads.

Please mind the technical information in chapter planning.



material	tube cover: anodised aluminium
type of assembly	Mounting on the raw concrete ceiling and installation in the screed
application area	wet floor cleaning
norm	according to DIN EN 50085
permits	according to VDE/TÜV
protection class	in use IP 43 / not in use IP 66
loading	2 kN

Aluminium

Product	H	H _{min}	N	B	E	P _{max}	IP _n	IP _g	G
UBST-R W1-WD	17 mm	55 mm	15 mm	120 mm	125 mm	2 kN	IP 66	IP 43	0,65 kg

H: height

H_{min}: Minimum installation height

N: levelling range

B: width

E: fitting dimension

P_{max}: Maximum load

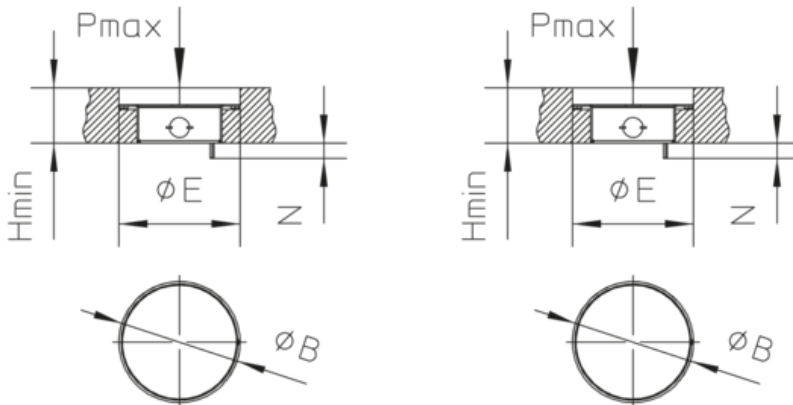
IP_n: IP protection level in unused condition

IP_g: IP protection level in used condition

G: weight



DETAILS / APPLICATIONS



OPTIONAL ACCESSORIES

UET120 WD



wet-cleaned

