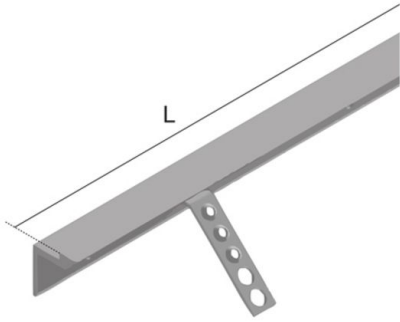


UBKPR

side profile



Hot-dip galvanized side profile, levellable, with screed anchors, assembly to heavy-duty duct's bottom piece, retainer for dummy covers. Sealing by insertion of a rubber strip.

Levelable by 35mm.

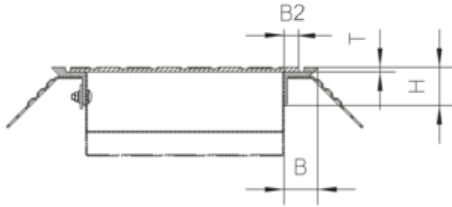
Hot-dip galvanized, according to BS 729 (DIN EN ISO 1461)

Product	H	B	B2	L	T	G
UBKPR5F	45 mm	40 mm	24 mm	3000 mm	5 mm	10,8 kg
incl.:						
5x FRS 8X25		round-head screw with square, DIN 603				
5x SEMS 8		hexagon-nut with flange, DIN EN 1661				
1x UBKPRV		connector				
UBKPR8F	57 mm	50 mm	30 mm	3000 mm	7 mm	14,6 kg
incl.:						
5x FRS 8X25		round-head screw with square, DIN 603				
5x SEMS 8		hexagon-nut with flange, DIN EN 1661				
1x UBKPRV		connector				
UBKPR10F	60 mm	50 mm	30 mm	3000 mm	10 mm	18,3 kg
incl.:						
5x FRS 8X25		round-head screw with square, DIN 603				
5x SEMS 8		hexagon-nut with flange, DIN EN 1661				
1x UBKPRV		connector				

H: height
B: width
B2: width
L: length
T: depth
G: weight



DETAILS / APPLICATIONS



OPTIONAL ACCESSORIES

UGD 20

