

STU 62

vertical cable ladder, equal U-profile

Vertical ladder, heavy building class, for both-sided cable load, with continuously three-way perforated side beams, beams made of U-profile 60x40x4 mm, rungs made of profile rail 40x22 mm to be screwed in.

Beams and rungs are delivered not mounted including screws and nuts. This article is available made in material no. 14301 (V2A) stainless steel finish. The cover RD can only be mounted in conjunction with the cover extension STD-A.

Hot-dip galvanized, according to BS 729 (DIN EN ISO 1461)

| Product | H | B1 | B2 | L | P _{max} | G |
|-----------------|---------|----------|----------------------------------|---------|------------------|----------|
| STU 62-02-3F | 3000 mm | 24,90 kg | | | | |
| incl.: | | | | | | |
| 2x KHU 60-30F | | | bracket support, heavy, 60x40 mm | | | |
| 2x KHU 60-30GV | | | bracket support, heavy, 60x40 mm | | | |
| 10x STUS 60-02F | | | rung | | | |
| STU 62-03-3F | 104 mm | 300 mm | 300 mm | 3000 mm | 4,0 kN | 26,43 kg |
| incl.: | | | | | | |
| 2x KHU 60-30F | | | bracket support, heavy, 60x40 mm | | | |
| 2x KHU 60-30GV | | | bracket support, heavy, 60x40 mm | | | |
| 10x STUS 60-03F | | | rung | | | |
| STU 62-04-3F | 104 mm | 400 mm | 400 mm | 3000 mm | 4,0 kN | 27,98 kg |
| incl.: | | | | | | |
| 2x KHU 60-30F | | | bracket support, heavy, 60x40 mm | | | |
| 2x KHU 60-30GV | | | bracket support, heavy, 60x40 mm | | | |
| 10x STUS 60-04F | | | rung | | | |
| STU 62-05-3F | 104 mm | 500 mm | 500 mm | 3000 mm | 4,0 kN | 28,81 kg |
| incl.: | | | | | | |
| 2x KHU 60-30F | | | bracket support, heavy, 60x40 mm | | | |
| 2x KHU 60-30GV | | | bracket support, heavy, 60x40 mm | | | |
| 10x STUS 60-05F | | | rung | | | |
| STU 62-06-3F | 104 mm | 600 mm | 600 mm | 3000 mm | 4,0 kN | 31,06 kg |
| incl.: | | | | | | |
| 2x KHU 60-30F | | | bracket support, heavy, 60x40 mm | | | |
| 2x KHU 60-30GV | | | bracket support, heavy, 60x40 mm | | | |
| 10x STUS 60-06F | | | rung | | | |
| STU 62-07-3F | 104 mm | 700 mm | 700 mm | 3000 mm | 4,0 kN | 32,61 kg |

Page 1

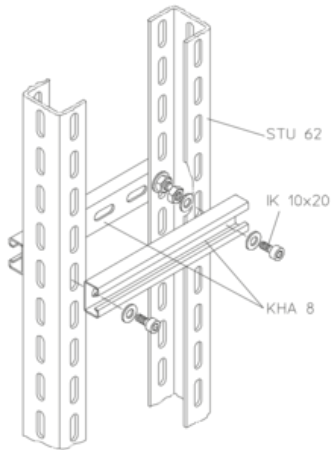




| Product | H | B1 | B2 | L | P _{max} | G |
|--|--------|---------|---------|---------|------------------|----------|
| incl.: 2x KHU 60-30F 2x KHU 60-30GV 10x STUS 60-07F | | | | | | |
| STU 62-08-3F | 104 mm | 800 mm | 800 mm | 3000 mm | 4,0 kN | 34,15 kg |
| incl.: 2x KHU 60-30F 2x KHU 60-30GV 10x STUS 60-08F | | | | | | |
| STU 62-09-3F | 104 mm | 900 mm | 900 mm | 3000 mm | 4,0 kN | 35,70 kg |
| incl.: 2x KHU 60-30F 2x KHU 60-30GV 10x STUS 60-09F | | | | | | |
| STU 62-10-3F | 104 mm | 1000 mm | 1000 mm | 3000 mm | 4,0 kN | 36,53 kg |
| incl.: 2x KHU 60-30F 2x KHU 60-30GV 10x STUS 60-10F | | | | | | |
| STU 62-11-3F | 104 mm | 1100 mm | 1100 mm | 3000 mm | 4,0 kN | 38,69 kg |
| incl.: 2x KHU 60-30F 2x KHU 60-30GV 10x STUS 60-11F | | | | | | |
| STU 62-12-3F | 104 mm | 1200 mm | 1200 mm | 3000 mm | 4,0 kN | 40,33 kg |
| incl.: 2x KHU 60-30F 2x KHU 60-30GV 10x STUS 60-12F | | | | | | |
| STU 62-02F | 104 mm | 200 mm | 200 mm | 6000 mm | 4,0 kN | 49,80 kg |
| incl.: 2x KHU 60-60F 20x STUS 60-02F | | | | | | |
| STU 62-03F | 104 mm | 300 mm | 300 mm | 6000 mm | 4,0 kN | 52,86 kg |
| incl.: 2x KHU 60-60F 20x STUS 60-03F | | | | | | |
| STU 62-04F | 104 mm | 400 mm | 400 mm | 6000 mm | 4,0 kN | 55,96 kg |
| incl.: 2x KHU 60-60F 20x STUS 60-04F | | | | | | |



DETAILS / APPLICATIONS



OPTIONAL ACCESSORIES

AC, KHUV 60, STR 50, STR 110, STD-A, ST-RD, BGU 60, BL 4, SU 60

