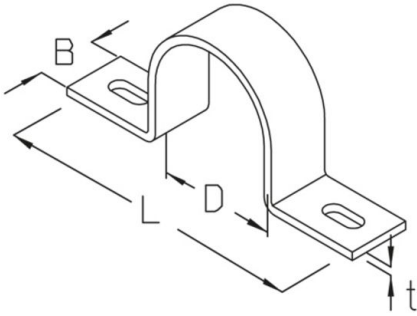


SRS-R
tube clamp



Hot-dip galvanized, according to BS 729 (DIN EN ISO 1461)

| Product | B | L | D | t | G |
|-----------|-------|--------|-------|---------|---------|
| SRS-R 60F | 30 mm | 160 mm | 60 mm | 4,00 mm | 0,22 kg |

Stainless steel, according to ASTM 304 / BS 304 S 3

| Product | B | L | D | t | G |
|-----------|-------|--------|-------|---------|---------|
| SRS-R 60E | 30 mm | 160 mm | 60 mm | 4,00 mm | 0,22 kg |

Hot-dip galvanized, according to BS 729 (DIN EN ISO 1461)

| Product | B | L | D | t | G |
|--------------|-------|--------|-------|---------|---------|
| SRS-R 30-HDG | 25 mm | 85 mm | 31 mm | 2,50 mm | 0,06 kg |
| SRS-R 60-HDG | 30 mm | 160 mm | 61 mm | 4,00 mm | 0,22 kg |

Stainless steel, according to ASTM 304 / BS 304 S 3

| Product | B | L | D | t | G |
|--------------|-------|--------|-------|---------|---------|
| SRS-R 30-304 | 25 mm | 85 mm | 31 mm | 2,50 mm | 0,06 kg |
| SRS-R 60-304 | 30 mm | 160 mm | 61 mm | 4,00 mm | 0,22 kg |



Stainless steel, according to ASTM 31 Ti / AISI 316 L, BS 320S17 / BS 316S11

| Product | B | L | D | t | G |
|--------------|-------|--------|-------|---------|---------|
| SRS-R 30-316 | 25 mm | 85 mm | 31 mm | 2,50 mm | 0,06 kg |
| SRS-R 60-316 | 30 mm | 160 mm | 61 mm | 4,00 mm | 0,22 kg |

B: width
L: length
D: diameter
t: material thickness
G: weight

DETAILS / APPLICATIONS

