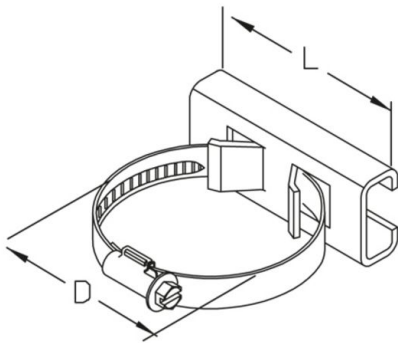


**SRS-A**  
support clamp



Hot-dip galvanized, according to BS 729 (DIN EN ISO 1461)

Product	L	D	t	G
SRS-A 30F	70 mm	30 mm	1,50 mm	0,06 kg

Stainless steel, according to ASTM 304 / BS 304 S 3

Product	L	D	t	G
SRS-A 30E	70 mm	30 mm	1,50 mm	0,06 kg

Hot-dip galvanized, according to BS 729 (DIN EN ISO 1461)

Product	L	D	t	G
SRS-A 60F	70 mm	60 mm	1,50 mm	0,08 kg

Stainless steel, according to ASTM 304 / BS 304 S 3

Product	L	D	t	G
SRS-A 60E	70 mm	60 mm	1,50 mm	0,08 kg





## Hot-dip galvanized, according to BS 729 (DIN EN ISO 1461)

Product	L	D	t	G
SRS-A 30-HDG	70 mm	30 mm	1,50 mm	0,06 kg
SRS-A 60-HDG	70 mm	60 mm	1,50 mm	0,08 kg

## Stainless steel, according to ASTM 304 / BS 304 S 3

Product	L	D	t	G
SRS-A 30-304	70 mm	30 mm	1,50 mm	0,06 kg
SRS-A 60-304	70 mm	60 mm	1,50 mm	0,08 kg

## Stainless steel, according to ASTM 31 Ti / AISI 316 L, BS 320S17 / BS 316S11

Product	L	D	t	G
SRS-A 30-316	70 mm	30 mm	1,50 mm	0,06 kg
SRS-A 60-316	70 mm	60 mm	1,50 mm	0,08 kg

**L:** length  
**D:** diameter  
**t:** material thickness  
**G:** weight

## DETAILS / APPLICATIONS



