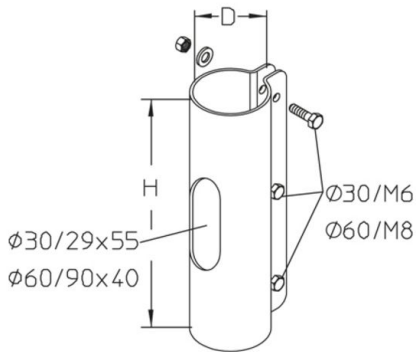


SRML

elongated slot socket



Hot-dip galvanized, according to BS 729 (DIN EN ISO 1461)

Product	H	D	t	G
SRML 60F	230 mm	60 mm	2,50 mm	1,05 kg

Stainless steel, according to ASTM 304 / BS 304 S 3

Product	H	D	t	G
SRML 60E	230 mm	60 mm	2,50 mm	1,05 kg

Hot-dip galvanized, according to BS 729 (DIN EN ISO 1461)

Product	H	D	t	G
SRML 30-HDG	130 mm	30 mm	1,50 mm	0,20 kg
SRML 60-HDG	230 mm	60 mm	2,50 mm	1,05 kg

Stainless steel, according to ASTM 304 / BS 304 S 3

Product	H	D	t	G
SRML 30-304	130 mm	30 mm	1,50 mm	0,2 kg
SRML 60-304	180 mm	60 mm	2,50 mm	1,05 kg



Stainless steel, according to ASTM 31 Ti / AISI 316 L, BS 320S17 / BS 316S11

Product	H	D	t	G
SRML 30-316	130 mm	30 mm	1,50 mm	0,2 kg
SRML 60-316	230 mm	60 mm	2,50 mm	1,05 kg

H: height
D: diameter
t: material thickness
G: weight

DETAILS / APPLICATIONS

