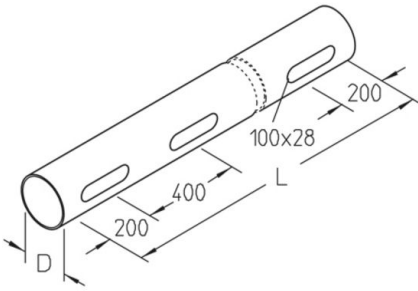


## SRL

protective tube, slotted, length = 6000 mm



**Hot-dip galvanized, according to BS 729 (DIN EN ISO 1461)**

Product	L	D	t	G
SRL 60F	6000 mm	60 mm	2,00 mm	16,3 kg

**Stainless steel, according to ASTM 304 / BS 304 S 3**

Product	L	D	t	G
SRL 60E	6000 mm	60 mm	2,00 mm	16,3 kg

**Hot-dip galvanized, according to BS 729 (DIN EN ISO 1461)**

Product	L	D	t	G
SRL 60-HDG	6000 mm	60 mm	2,00 mm	16,30 kg

**Stainless steel, according to ASTM 304 / BS 304 S 3**

Product	L	D	t	G
SRL 60-304	6000 mm	60 mm	2,00 mm	16,3 kg

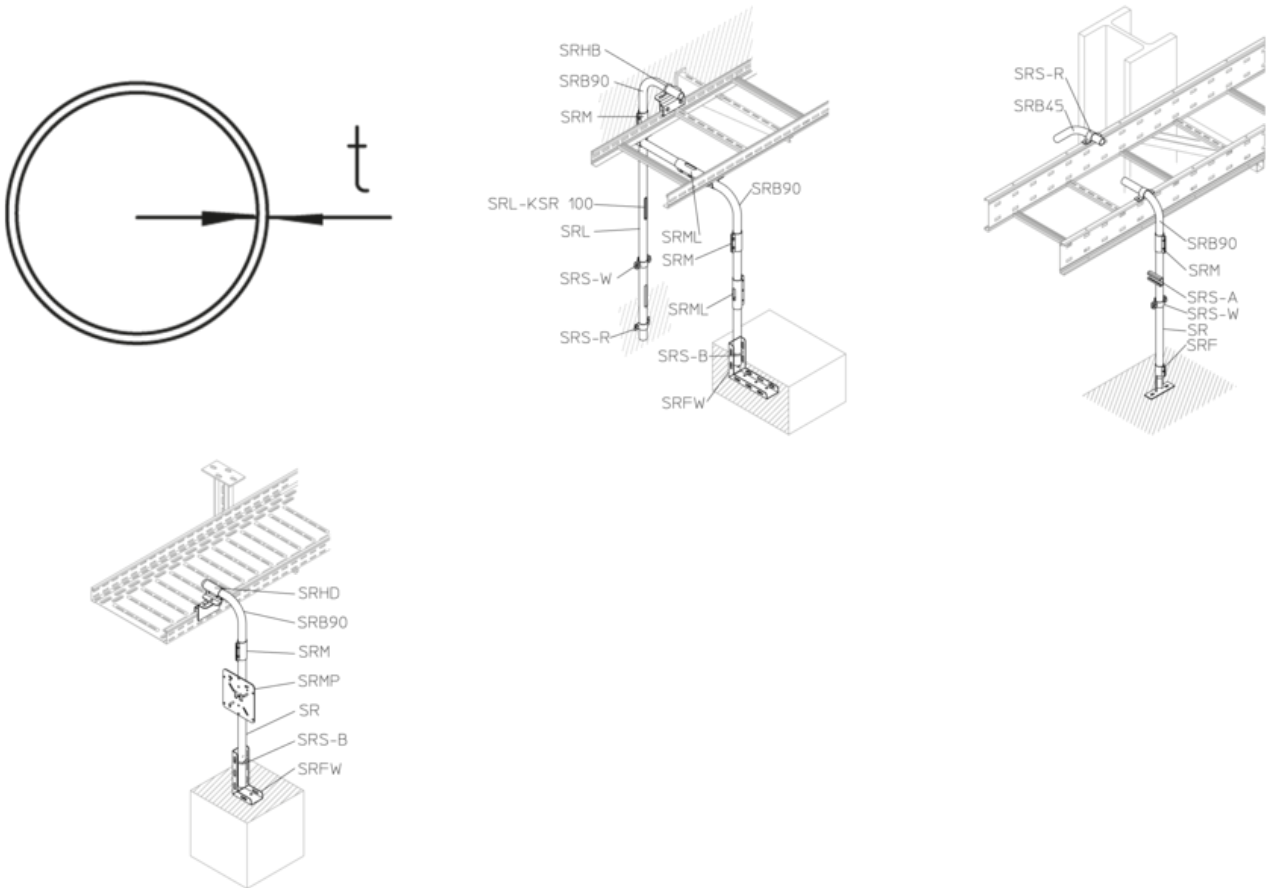


Stainless steel, according to ASTM 31 Ti / AISI 316 L, BS 320S17 / BS 316S11

Product	L	D	t	G
SRL 60-316	6000 mm	60 mm	2,00 mm	16,3 kg

**L:** length  
**D:** diameter  
**t:** material thickness  
**G:** weight

## DETAILS / APPLICATIONS



## OPTIONAL ACCESSORIES

SRL-KSR 100



