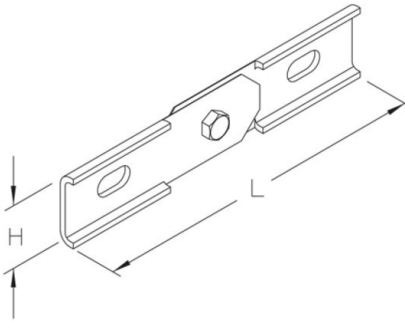


## SLVV

ship ladder connector, vertical



### Bright rolled

Product	H	L	G
SLVV B	38 mm	180 mm	0,2 kg
incl.:			
2x KLS 10X20F		clamp fastening set	
1x SES 10X20F		hexagon head bolt, DIN 933	
1x SEM 10F		hexagon-nut, DIN 934	

### Hot-dip galvanized, according to BS 729 (DIN EN ISO 1461)

Product	H	L	G
SLVV F	38 mm	180 mm	0,2 kg
incl.:			
2x KLS 10X20F		clamp fastening set	
1x SES 10X20F		hexagon head bolt, DIN 933	
1x SEM 10F		hexagon-nut, DIN 934	

### weld-primed

Product	H	L	G
SLVV M	38 mm	180 mm	0,2 kg



# PRODUCT INFORMATION



Product	H	L	G
incl.: 2x KLS 10X20F 1x SES 10X20F 1x SEM 10F			clamp fastening set hexagon head bolt, DIN 933 hexagon-nut, DIN 934

## Hot-dip galvanized, according to BS 729 (DIN EN ISO 1461)

Product	H	L	G
SLVV-HDG	38 mm	180 mm	0,30 kg
incl.: 2x KLS 10X20-HDG 1x SES 10X20-HDG 1x SEM 10-HDG			clamp fastening set hexagon head bolt, DIN 933 hexagon-nut, DIN 934

## Stainless steel, according to ASTM 31 Ti / AISI 316 L, BS 320S17 / BS 316S11

Product	H	L	G
SLVV-316	38 mm	180 mm	0,30 kg
incl.: 2x KLS 10X20-316 1x SES 10X20-316 1x SEM 10-316			clamp fastening set hexagon head bolt, DIN 933 hexagon-nut, DIN 934

**H:** height  
**L:** length  
**G:** weight

## DETAILS / APPLICATIONS



