

SLF
ship ladder hook

Hot-dip galvanized, according to BS 729 (DIN EN ISO 1461)

Product	G
SLF-HDG	0,03 kg

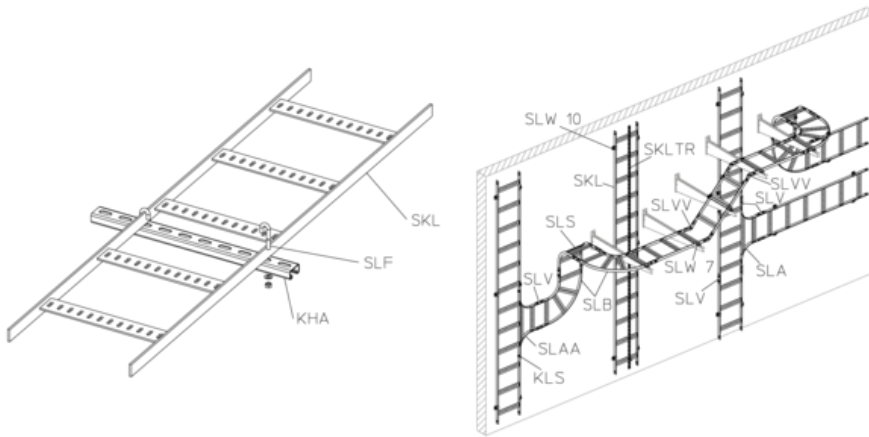
Stainless steel, according to ASTM 31 Ti / AISI 316 L, BS 320S17 / BS 316S11

Product	G
SLF-316	0,03 kg
incl. 1x SEM 8-316	hexagon-nut, DIN 934

G: weight

DETAILS / APPLICATIONS





OPTIONAL ACCESSORIES

KHA 2, KHA 4, KHA 41, KHA 7, KHA 8, KHA 9

