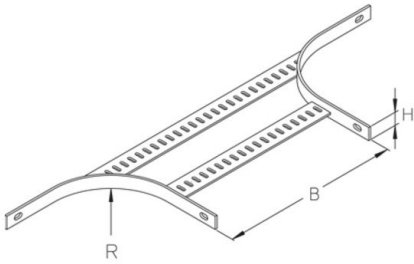


SLAA

ship duct attachment branch, height = 30 mm



Bright rolled

Product	H	B	R	G
SLAA 075B	30 mm	75 mm	100 mm	1,4 kg
SLAA 100B	30 mm	100 mm	100 mm	1,5 kg
SLAA 150B	30 mm	150 mm	100 mm	1,7 kg
SLAA 200B	30 mm	200 mm	100 mm	1,8 kg
SLAA 250B	30 mm	250 mm	100 mm	2 kg
SLAA 300B	30 mm	300 mm	150 mm	2,5 kg
SLAA 400B	30 mm	400 mm	150 mm	2,8 kg
SLAA 500B	30 mm	500 mm	200 mm	3,4 kg

Hot-dip galvanized, according to BS 729 (DIN EN ISO 1461)

Product	H	B	R	G
SLAA 075F	30 mm	75 mm	100 mm	1,4 kg
SLAA 100F	30 mm	100 mm	100 mm	1,6 kg
SLAA 150F	30 mm	150 mm	100 mm	1,7 kg
SLAA 200F	30 mm	200 mm	100 mm	1,8 kg
SLAA 250F	30 mm	250 mm	100 mm	2 kg
SLAA 300F	30 mm	300 mm	150 mm	2,5 kg
SLAA 400F	30 mm	400 mm	150 mm	2,8 kg
SLAA 500F	30 mm	500 mm	200 mm	3,4 kg





weld-primed

Product	H	B	R	G
SLAA 075M	30 mm	75 mm	100 mm	1,4 kg
SLAA 100M	30 mm	100 mm	100 mm	1,5 kg
SLAA 150M	30 mm	150 mm	100 mm	1,7 kg
SLAA 200M	30 mm	200 mm	100 mm	1,8 kg
SLAA 250M	30 mm	250 mm	100 mm	2 kg
SLAA 300M	30 mm	300 mm	150 mm	2,5 kg
SLAA 400M	30 mm	400 mm	150 mm	2,8 kg
SLAA 500M	30 mm	500 mm	200 mm	3,4 kg

Hot-dip galvanized, according to BS 729 (DIN EN ISO 1461)

Product	H	B	R	G
SLAA 75-HDG	30 mm	75 mm	100 mm	1,40 kg
SLAA 100-HDG	30 mm	100 mm	100 mm	1,50 kg
SLAA 150-HDG	30 mm	150 mm	100 mm	1,70 kg
SLAA 200-HDG	30 mm	200 mm	100 mm	1,80 kg
SLAA 300-HDG	30 mm	300 mm	150 mm	2,50 kg
SLAA 400-HDG	30 mm	400 mm	150 mm	2,80 kg
SLAA 500-HDG	30 mm	500 mm	200 mm	3,40 kg

Stainless steel, according to ASTM 304 / BS 304 S 3

Product	H	B	R	G
SLAA 75-304	30 mm	75 mm	100 mm	1,3 kg
SLAA 100-304	30 mm	100 mm	100 mm	1,38 kg
SLAA 150-304	30 mm	150 mm	100 mm	1,52 kg
SLAA 200-304	30 mm	200 mm	100 mm	1,66 kg
SLAA 300-304	30 mm	300 mm	150 mm	2,2 kg
SLAA 400-304	30 mm	400 mm	150 mm	2,5 kg
SLAA 500-304	30 mm	500 mm	200 mm	3,1 kg

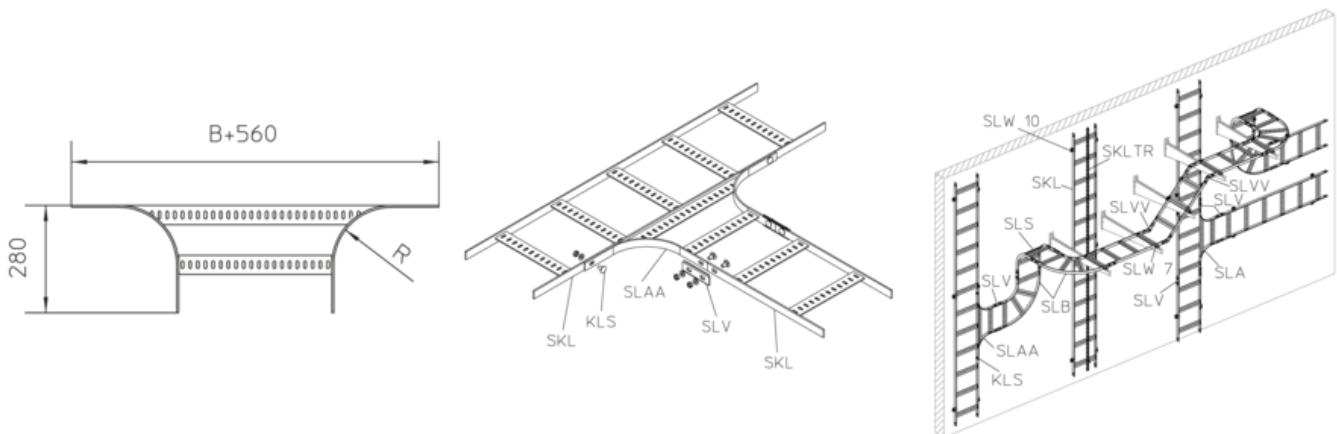


Stainless steel, according to ASTM 31 Ti / AISI 316 L, BS 320S17 / BS 316S11

Product	H	B	R	G
SLAA 75-316	30 mm	75 mm	100 mm	1,4 kg
SLAA 100-316	30 mm	100 mm	100 mm	1,5 kg
SLAA 150-316	30 mm	150 mm	100 mm	1,7 kg
SLAA 200-316	30 mm	200 mm	100 mm	1,8 kg
SLAA 300-316	30 mm	300 mm	150 mm	2,5 kg
SLAA 400-316	30 mm	400 mm	150 mm	2,8 kg
SLAA 500-316	30 mm	500 mm	200 mm	3,4 kg

H: height
B: width
R: radius
G: weight

DETAILS / APPLICATIONS



OPTIONAL ACCESSORIES

SLW, SLV, SLVV, KLS

