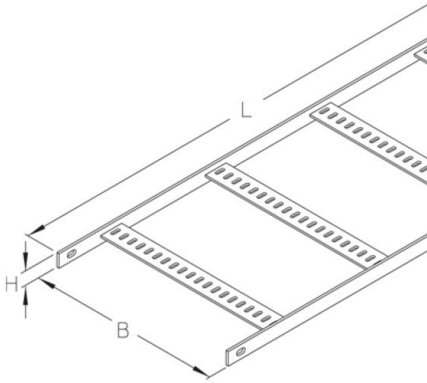


SKL

ship cable ladder, height = 30 mm

Ship cable ladder with continuously perforated and welded rungs made of flat-steel.



Bright rolled

Product	H	B	L	G
SKL 075B	30 mm	75 mm	3000 mm	8,4 kg
SKL 100B	30 mm	100 mm	3000 mm	8,7 kg
SKL 150B	30 mm	150 mm	3000 mm	9,3 kg
SKL 200B	30 mm	200 mm	3000 mm	9,9 kg
SKL 250B	30 mm	250 mm	3000 mm	10,8 kg
SKL 300B	30 mm	300 mm	3000 mm	11,4 kg
SKL 400B	30 mm	400 mm	3000 mm	12,9 kg
SKL 500B	30 mm	500 mm	3000 mm	14,4 kg

Hot-dip galvanized, according to BS 729 (DIN EN ISO 1461)

Product	H	B	L	G
SKL 075F	30 mm	75 mm	3000 mm	8,4 kg
SKL 100F	30 mm	100 mm	3000 mm	8,7 kg
SKL 150F	30 mm	150 mm	3000 mm	9,3 kg
SKL 200F	30 mm	200 mm	3000 mm	9,9 kg
SKL 250F	30 mm	250 mm	3000 mm	10,8 kg
SKL 300F	30 mm	300 mm	3000 mm	11,4 kg
SKL 400F	30 mm	400 mm	3000 mm	12,9 kg
SKL 500F	30 mm	500 mm	3000 mm	14,4 kg





weld-primed

Product	H	B	L	G
SKL 075M	30 mm	75 mm	3000 mm	8,4 kg
SKL 100M	30 mm	100 mm	3000 mm	8,7 kg
SKL 150M	30 mm	150 mm	3000 mm	9,3 kg
SKL 200M	30 mm	200 mm	3000 mm	9,9 kg
SKL 250M	30 mm	250 mm	3000 mm	10,8 kg
SKL 300M	30 mm	300 mm	3000 mm	11,4 kg
SKL 400M	30 mm	400 mm	3000 mm	12,9 kg
SKL 500M	30 mm	500 mm	3000 mm	14,4 kg

Hot-dip galvanized, according to BS 729 (DIN EN ISO 1461)

Product	H	B	L	G
SKL 75-HDG	30 mm	75 mm	3000 mm	8,40 kg
SKL 100-HDG	30 mm	100 mm	3000 mm	8,70 kg
SKL 150-HDG	30 mm	150 mm	3000 mm	9,30 kg
SKL 200-HDG	30 mm	200 mm	3000 mm	9,90 kg
SKL 300-HDG	30 mm	300 mm	3000 mm	11,40 kg
SKL 400-HDG	30 mm	400 mm	3000 mm	12,90 kg
SKL 500-HDG	30 mm	500 mm	3000 mm	14,40 kg

Stainless steel, according to ASTM 304 / BS 304 S 3

Product	H	B	L	G
SKL 75-304	30 mm	75 mm	3000 mm	8,40 kg
SKL 100-304	30 mm	100 mm	3000 mm	8,70 kg
SKL 150-304	30 mm	150 mm	3000 mm	9,30 kg
SKL 200-304	30 mm	200 mm	3000 mm	9,90 kg
SKL 300-304	30 mm	300 mm	3000 mm	11,40 kg
SKL 400-304	30 mm	400 mm	3000 mm	12,90 kg
SKL 500-304	30 mm	500 mm	3000 mm	14,40 kg

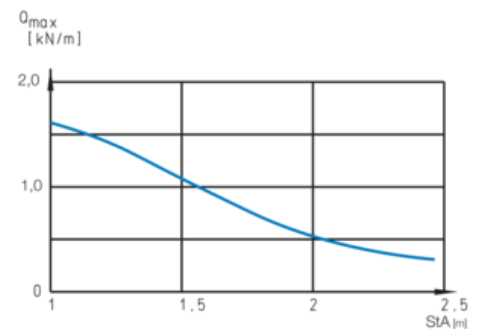
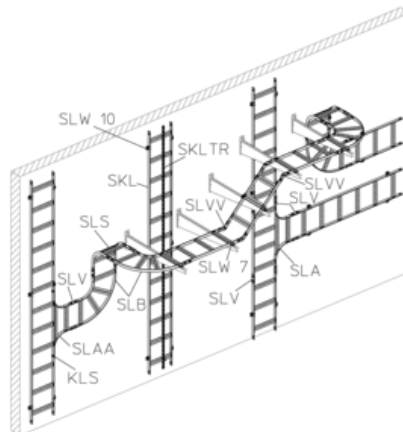
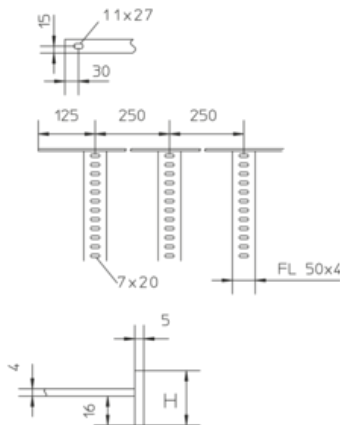


Stainless steel, according to ASTM 31 Ti / AISI 316 L, BS 320S17 / BS 316S11

Product	H	B	L	G
SKL 75-316	30 mm	75 mm	3000 mm	8,4 kg
SKL 100-316	30 mm	100 mm	3000 mm	8,7 kg
SKL 150-316	30 mm	150 mm	3000 mm	9,3 kg
SKL 200-316	30 mm	200 mm	3000 mm	9,9 kg
SKL 300-316	30 mm	300 mm	3000 mm	11,4 kg
SKL 400-316	30 mm	400 mm	3000 mm	12,9 kg
SKL 500-316	30 mm	500 mm	3000 mm	14,4 kg

H: height
B: width
L: length
G: weight

DETAILS / APPLICATIONS



OPTIONAL ACCESSORIES

SLW, SLV, SLVV

