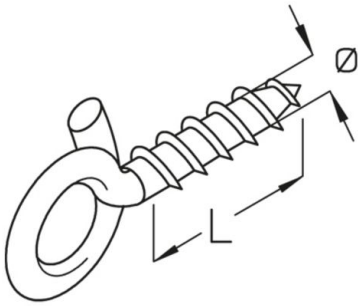


**SHH**  
eyebolt

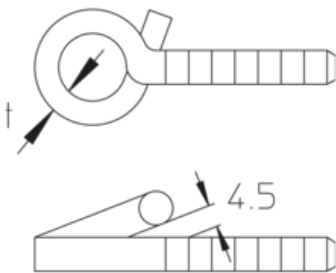


galvanized, according to DIN EN ISO 19598 / DIN EN ISO 2081

Product	L	Ø	t	G
SHH 6X40	40 mm	6 mm	5,20 mm	2 kg/100

**L:** length  
**Ø:** diameter  
**t:** material thickness  
**G:** weight

DETAILS / APPLICATIONS



$P_{max} = 0,4 \text{ kN}$





## OPTIONAL ACCESSORIES

KNK

