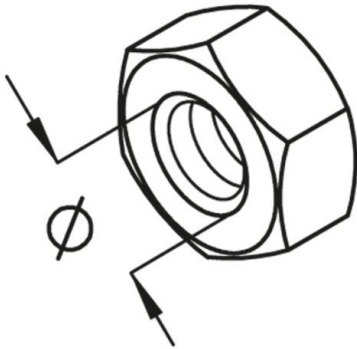


## SEMB

hexagon-nut, DIN 934

Hexagon-nut (DIN 934) with gripping coating (DIN 267-28).



Hot-dip galvanized, according to BS 729 (DIN EN ISO 1461)

Product	D	Ø	t	SW	G
SEMB 10F	21 mm	10 mm	9,50 mm	15 mm	1,10 kg/100

Hot-dip galvanized, according to BS 729 (DIN EN ISO 1461)

Product	D	Ø	t	SW	G
SEMB 10-HDG	21 mm	10 mm	9,50 mm	15 mm	1,10 kg/100

**D:** diameter  
**Ø:** diameter  
**t:** material thickness  
**SW:** wrench size  
**G:** weight

## DETAILS / APPLICATIONS



