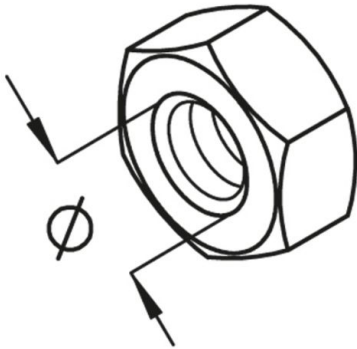


SEM

hexagon-nut, DIN 934



galvanized, according to DIN EN ISO 19598 / DIN EN ISO 2081

Product	Ø	t	SW	G
SEM 8	8 mm	6,50 mm	13 mm	0,5 kg/100
SEM 10	10 mm	8,00 mm	17(15) mm	1,0 kg/100

Hot-dip galvanized, according to BS 729 (DIN EN ISO 1461)

Product	Ø	t	SW	G
SEM 10F	10 mm	8,00 mm	17(15) mm	1,0 kg/100
SEM 12F	12 mm	10,00 mm	19(18) mm	1,7 kg/100

Stainless steel, according to ASTM 304 / BS 304 S 3

Product	Ø	t	SW	G
SEM 8E	8 mm	6,50 mm	13 mm	0,5 kg/100
SEM 10E	10 mm	8,00 mm	17(15) mm	1,0 kg/100

Stainless steel, according to ASTM 31 Ti / AISI 316 L, BS 320S17 / BS 316S11





Product	Ø	t	SW	G
SEM 6E4	6 mm	5,00 mm	10 mm	0,3 kg/100
SEM 8E4	8 mm	6,50 mm	13 mm	0,5 kg/100
SEM 10E4	10 mm	8,00 mm	17(15) mm	1,0 kg/100

Hot-dip galvanized, according to BS 729 (DIN EN ISO 1461)

Product	Ø	t	SW	G
SEM 10-HDG	10 mm	8,00 mm	17(15) mm	1,00 kg/100
SEM 12-HDG	12 mm	10,00 mm	19(18) mm	1,7 kg/100

Stainless steel, according to ASTM 304 / BS 304 S 3

Product	Ø	t	SW	G
SEM 6-304	6 mm	5,00 mm	10 mm	0,20 kg/100
SEM 8-304	8 mm	6,50 mm	13 mm	0,47 kg/100
SEM 10-304	10 mm	8,00 mm	17(15) mm	1,00 kg/100

Stainless steel, according to ASTM 31 Ti / AISI 316 L, BS 320S17 / BS 316S11

Product	Ø	t	SW	G
SEM 6-316	6 mm	5,00 mm	10 mm	0,10 kg/100
SEM 8-316	8 mm	6,50 mm	13 mm	0,60 kg/100
SEM 10-316	10 mm	8,00 mm	17(15) mm	1,0 kg/100
SEM 12-316	12 mm	10,00 mm	19(18) mm	1,6 kg/100

Ø: diameter
t: material thickness
SW: wrench size
G: weight



DETAILS / APPLICATIONS

