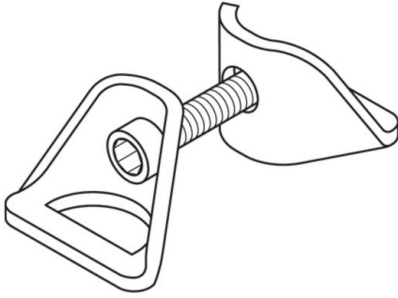


**SC**  
tightening clip

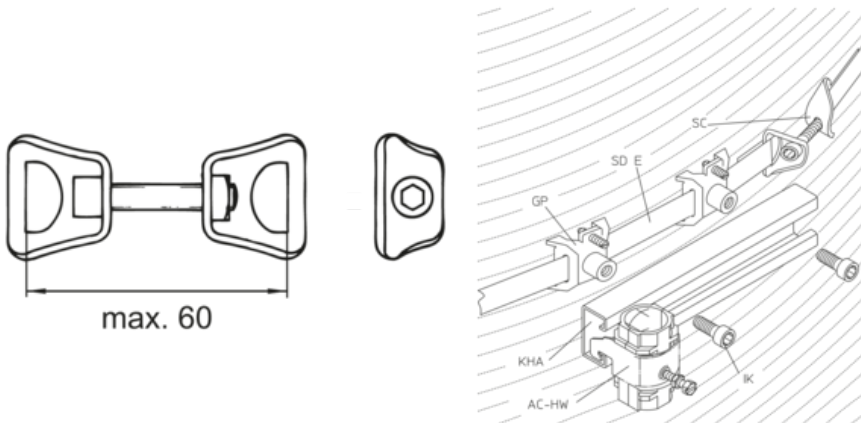


Hot-dip galvanized, according to BS 729 (DIN EN ISO 1461)

|             |                                    |
|-------------|------------------------------------|
| Product     | G                                  |
| SC          | 6,5 kg/100                         |
| incl.:      |                                    |
| 1x IK 8X40E | hexagon socket head screw, DIN 912 |

**G:** weight

DETAILS / APPLICATIONS





## OPTIONAL ACCESSORIES

GP, SD E

