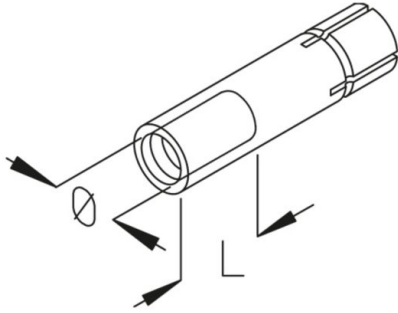


SAZ anchor



Permissible as single fastening. Permissible load in cracked and non-cracked normal concrete of strength \geq C20/25. Manufacturer's information has to be observed strictly (ETA-06/0271).

galvanized, according to DIN EN ISO 19598 / DIN EN ISO 2081

| Product | L | L _{min} | D | Ø | Pzul | PzulR30 | PzulR90 | G |
|---------|----------|------------------|-------|-------|--------|---------|---------|------------|
| SAZ 6 | 8-13 mm | 43 mm | 12 mm | 6 mm | 2,4 kN | 1,0 kN | 0,4 kN | 3,2 kg/100 |
| SAZ 8 | 11-17 mm | 43 mm | 10 mm | 8 mm | 1,6 kN | 0,9 kN | 0,7 kN | 1,4 kg/100 |
| SAZ 10 | 13-19 mm | 43 mm | 12 mm | 10 mm | 3,0 kN | 2,3 kN | 1,1 kN | 1,9 kg/100 |
| SAZ 12 | 15-21 mm | 43 mm | 14 mm | 12 mm | 3,6 kN | 2,8 kN | 1,4 kN | 2,6 kg/100 |

Stainless steel, according to ASTM 31 Ti / AISI 316 L, BS 320S17 / BS 316S11

| Product | L | L _{min} | D | Ø | Pzul | PzulR30 | PzulR90 | G |
|----------|----------|------------------|-------|-------|--------|---------|---------|------------|
| SAZ 8E4 | 11-17 mm | 43 mm | 10 mm | 8 mm | 1,6 kN | 0,9 kN | 0,7 kN | 1,4 kg/100 |
| SAZ 10E4 | 13-19 mm | 43 mm | 12 mm | 10 mm | 3,0 kN | 2,3 kN | 1,1 kN | 1,9 kg/100 |
| SAZ 12E4 | 15-21 mm | 43 mm | 14 mm | 12 mm | 3,6 kN | 2,8 kN | 1,4 kN | 2,6 kg/100 |

L: length

L_{min}: Minimum drilling depth

D: diameter

Ø: diameter

Pzul: permissible tractive force

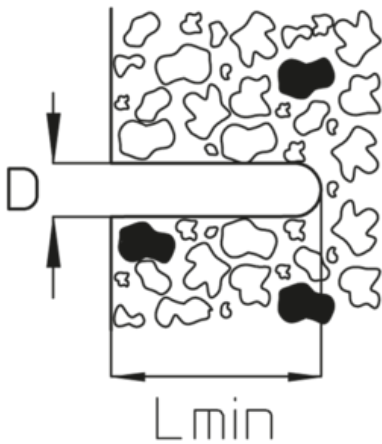
PzulR30: permissible tensile load under the influence of fire (30min)

PzulR90: permissible tensile load under the influence of fire (90min)

G: weight



DETAILS / APPLICATIONS



OPTIONAL ACCESSORIES

SAZ-B, SAZ-D

