

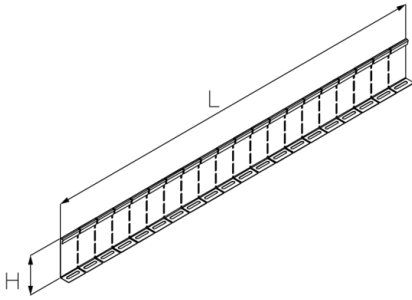
RTRV 110

Rinntrennsteg, variabel, Höhe = 100 mm

EN Rinntrennsteg, variabel inkl. Befestigungsschrauben

Kabelkanaltrennung durch Formteile hindurch

Frei biegsam durch Segmente



Continuously hot galvanized (Sendzimir process) (DIN EN 10346)

Product	H	B	L	G
RTRV 110S	100 mm	25 mm	1000 mm	0,782 kg
incl.:				
3x FRSV 6X12	round-head screw with short square, DIN 603			
3x SEMS 6	hexagon-nut with flange, DIN EN 1661			

Stainless steel, according to ASTM 304 / BS 304 S 3

Product	H	B	L	G
RTRV 110E	100 mm	25 mm	1000 mm	0,841 kg
incl.:				
3x FRSV 6X12E	round-head screw with short square, DIN 603			
3x SEMS 6E	hexagon-nut with flange, DIN EN 1661			

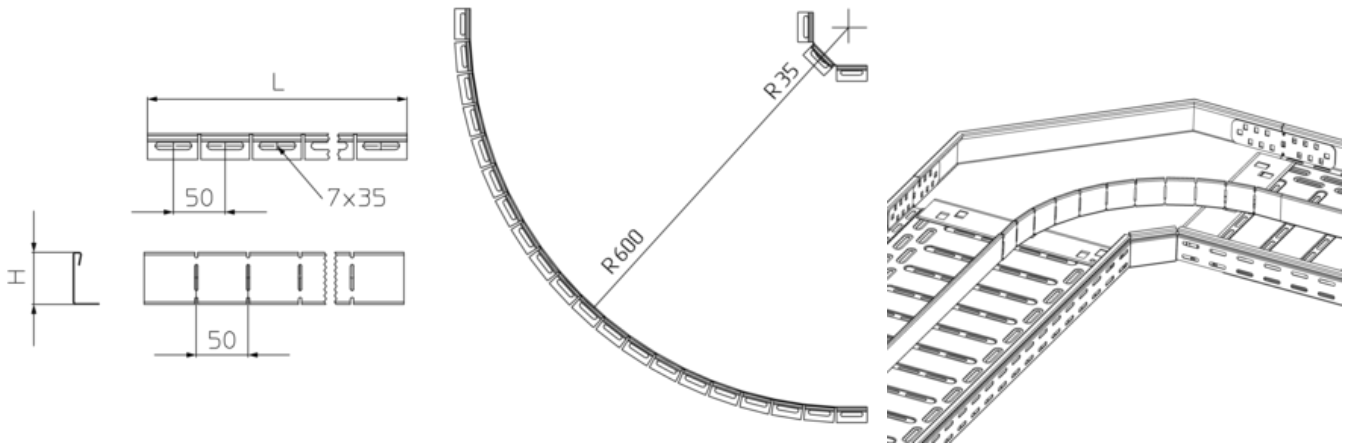
Stainless steel, according to ASTM 31 Ti / AISI 316 L, BS 320S17 / BS 316S11

Product	H	B	L	G
RTRV 85E4	100 mm	25 mm	1000 mm	0,852 kg
incl.:				
3x FRSV 6X12E4	round-head screw with short square, DIN 603			
3x SEM 6E4	hexagon-nut, DIN 934			
3x US 6X12E4	washer, DIN EN ISO 7089			



H: height
B: width
L: length
G: weight

DETAILS / APPLICATIONS



OPTIONAL ACCESSORIES

KLF

