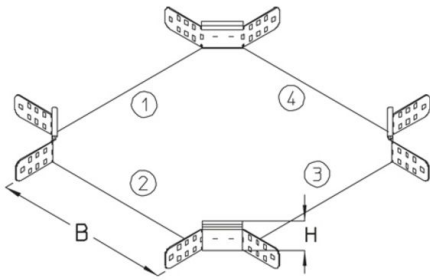


RK 60

cable tray crossover, height = 60 mm

cable tray crossover for horizontal change of direction with integrated connectors

This article is available made in material No. 1.4571/1.4404 (V4A) stainless steel finish.



Continuously hot galvanized (Sendzimir process) (DIN EN 10346)

Product	H	B	G
RK 60-10S	60 mm	100 mm	1 kg
incl.: 4x KLR	clamp fastening set		
RK 60-20S	60 mm	200 mm	1,3 kg
incl.: 4x KLR	clamp fastening set		
RK 60-30S	60 mm	300 mm	2 kg
incl.: 4x KLR	clamp fastening set		
RK 60-40S	60 mm	400 mm	2,8 kg
incl.: 4x KLR	clamp fastening set		
RK 60-50S	60 mm	500 mm	4,4 kg
incl.: 4x KLR	clamp fastening set		
RK 60-60S	60 mm	600 mm	5,7 kg
incl.: 4x KLR	clamp fastening set		

Hot-dip galvanized, according to BS 729 (DIN EN ISO 1461)





Product	H	B	G
RK 60-10F	60 mm	100 mm	1,1 kg
incl.: 4x KLR E clamp fastening set			
RK 60-20F	60 mm	200 mm	1,4 kg
incl.: 4x KLR E clamp fastening set			
RK 60-30F	60 mm	300 mm	2,1 kg
incl.: 4x KLR E clamp fastening set			
RK 60-40F	60 mm	400 mm	3 kg
incl.: 4x KLR E clamp fastening set			
RK 60-50F	60 mm	500 mm	4,7 kg
incl.: 4x KLR E clamp fastening set			
RK 60-60F	60 mm	600 mm	6,1 kg
incl.: 4x KLR E clamp fastening set			

Stainless steel, according to ASTM 304 / BS 304 S 3

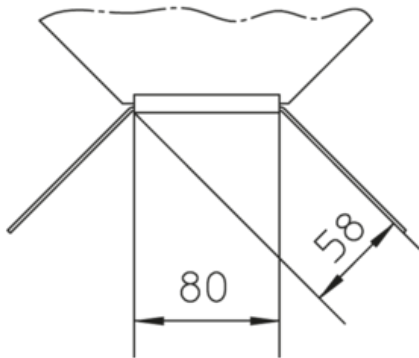
Product	H	B	G
RK 60-10E	60 mm	100 mm	0,9 kg
incl.: 4x KLR E clamp fastening set			
RK 60-20E	60 mm	200 mm	1,2 kg
incl.: 4x KLR E clamp fastening set			
RK 60-30E	60 mm	300 mm	1,9 kg
incl.: 4x KLR E clamp fastening set			
RK 60-40E	60 mm	400 mm	2,7 kg
incl.: 4x KLR E clamp fastening set			
RK 60-50E	60 mm	500 mm	4,3 kg



Product	H	B	G
incl.: 4x KLR E			
		clamp fastening set	
RK 60-60E	60 mm	600 mm	5,6 kg
incl.: 4x KLR E			
		clamp fastening set	

H: height
B: width
G: weight

DETAILS / APPLICATIONS



OPTIONAL ACCESSORIES

VB, RKD, RKDR, RTRV 60



UL classified

