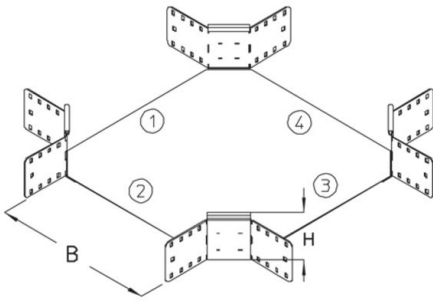


RK 110

cable tray crossover, height = 110 mm

cable tray crossover for horizontal change of direction with integrated connectors

This article is available made in material No. 1.4571/1.4404 (V4A) stainless steel finish.



Continuously hot galvanized (Sendzimir process) (DIN EN 10346)

Product	H	B	G
RK 110-10S	110 mm	100 mm	1,7 kg
incl.: 8x KLR	clamp fastening set		
RK 110-20S	110 mm	200 mm	2,4 kg
incl.: 8x KLR	clamp fastening set		
RK 110-30S	110 mm	300 mm	3 kg
incl.: 8x KLR	clamp fastening set		
RK 110-40S	110 mm	400 mm	4,2 kg
incl.: 8x KLR	clamp fastening set		
RK 110-50S	110 mm	500 mm	5,3 kg
incl.: 8x KLR	clamp fastening set		
RK 110-60S	110 mm	600 mm	6,6 kg
incl.: 8x KLR	clamp fastening set		

Hot-dip galvanized, according to BS 729 (DIN EN ISO 1461)





Product	H	B	G
RK 110-10F	110 mm	100 mm	1,8 kg
incl.: 8x KLR E	clamp fastening set		
RK 110-20F	110 mm	200 mm	2,6 kg
incl.: 8x KLR E	clamp fastening set		
RK 110-30F	110 mm	300 mm	3,2 kg
incl.: 8x KLR E	clamp fastening set		
RK 110-40F	110 mm	400 mm	4,5 kg
incl.: 8x KLR E	clamp fastening set		
RK 110-50F	110 mm	500 mm	5,7 kg
incl.: 8x KLR E	clamp fastening set		
RK 110-60F	110 mm	600 mm	7,1 kg
incl.: 8x KLR E	clamp fastening set		

Stainless steel, according to ASTM 304 / BS 304 S 3

Product	H	B	G
RK 110-10E	110 mm	100 mm	1,5 kg
incl.: 8x KLR E	clamp fastening set		
RK 110-20E	110 mm	200 mm	2,2 kg
incl.: 8x KLR E	clamp fastening set		
RK 110-30E	110 mm	300 mm	2,8 kg
incl.: 8x KLR E	clamp fastening set		
RK 110-40E	110 mm	400 mm	4 kg
incl.: 8x KLR E	clamp fastening set		
RK 110-50E	110 mm	500 mm	5,1 kg

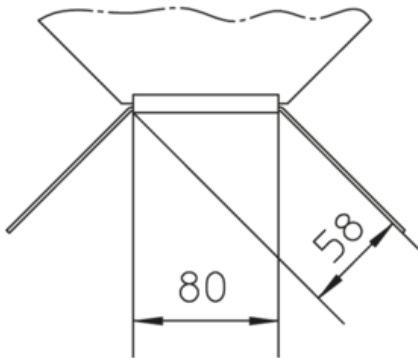




Product	H	B	G
incl.: 8x KLR E			
		clamp fastening set	
RK 110-60E	110 mm	600 mm	6,4 kg
incl.: 8x KLR E			
		clamp fastening set	

H: height
B: width
G: weight

DETAILS / APPLICATIONS



OPTIONAL ACCESSORIES

VB, RKD, RKDR, RTRV 110



UL classified

