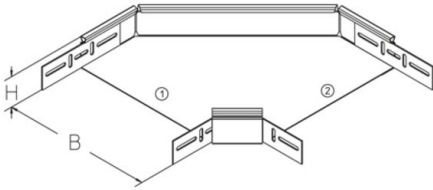


RIB 60

cable installation tray bend, height = 60 mm

cable tray bend 90° for horizontal change of direction with integrated connectors



Continuously hot galvanized (Sendzimir process) (DIN EN 10346)

Product	H	B	G
RIB 60-05S	60 mm	50 mm	0,56 kg
incl.:			
4x FRSV 6X12	round-head screw with short square, DIN 603		
4x SEMS 6	hexagon-nut with flange, DIN EN 1661		
RIB 60-10S	60 mm	100 mm	0,73 kg
incl.:			
4x FRSV 6X12	round-head screw with short square, DIN 603		
4x SEMS 6	hexagon-nut with flange, DIN EN 1661		
RIB 60-20S	60 mm	200 mm	1,18 kg
incl.:			
4x FRSV 6X12	round-head screw with short square, DIN 603		
4x SEMS 6	hexagon-nut with flange, DIN EN 1661		
RIB 60-30S	60 mm	300 mm	1,86 kg
incl.:			
4x FRSV 6X12	round-head screw with short square, DIN 603		
4x SEMS 6	hexagon-nut with flange, DIN EN 1661		

Hot-dip galvanized, according to BS 729 (DIN EN ISO 1461)

Product	H	B	G
RIB 60-05F	60 mm	50 mm	0,56 kg





Product	H	B	G
incl.: 4x FRSV 6X12E 4x SEMS 6E			
		round-head screw with short square, DIN 603 hexagon-nut with flange, DIN EN 1661	
RIB 60-10F	60 mm	100 mm	0,78 kg
incl.: 4x FRSV 6X12E 4x SEMS 6E			
		round-head screw with short square, DIN 603 hexagon-nut with flange, DIN EN 1661	
RIB 60-20F	60 mm	200 mm	1,27 kg
incl.: 4x FRSV 6X12E 4x SEMS 6E			
		round-head screw with short square, DIN 603 hexagon-nut with flange, DIN EN 1661	
RIB 60-30F	60 mm	300 mm	2,00 kg
incl.: 4x FRSV 6X12E 4x SEMS 6E			
		round-head screw with short square, DIN 603 hexagon-nut with flange, DIN EN 1661	

Stainless steel, according to ASTM 304 / BS 304 S 3

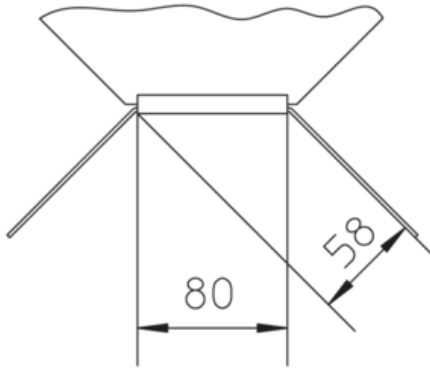
Product	H	B	G
RIB 60-05E	60 mm	50 mm	0,45 kg
incl.: 4x FRSV 6X12E 4x SEMS 6E			
		round-head screw with short square, DIN 603 hexagon-nut with flange, DIN EN 1661	
RIB 60-10E	60 mm	100 mm	0,86 kg
incl.: 4x FRSV 6X12E 4x SEMS 6E			
		round-head screw with short square, DIN 603 hexagon-nut with flange, DIN EN 1661	
RIB 60-20E	60 mm	200 mm	1,31 kg
incl.: 4x FRSV 6X12E 4x SEMS 6E			
		round-head screw with short square, DIN 603 hexagon-nut with flange, DIN EN 1661	
RIB 60-30E	60 mm	300 mm	1,98 kg
incl.: 4x FRSV 6X12E 4x SEMS 6E			
		round-head screw with short square, DIN 603 hexagon-nut with flange, DIN EN 1661	

H: height



B: width
G: weight

DETAILS / APPLICATIONS



OPTIONAL ACCESSORIES

RBD, RIBDS, VB, RTRV 60

