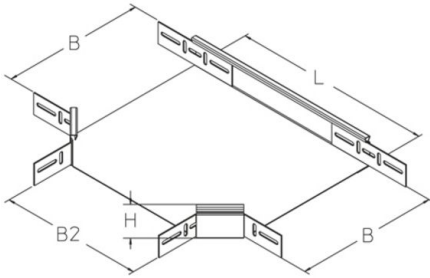


RIA 60

cable installation tray branch, height = 60 mm

cable tray branch in T-shape, integrated connectors



Continuously hot galvanized (Sendzimir process) (DIN EN 10346)

Product	H	B	B2	L	G
RIA 60-05S	60 mm	50 mm	50 mm	164 mm	0,70 kg
incl.:					
6x FRSV 6X12	round-head screw with short square, DIN 603				
6x SEMS 6	hexagon-nut with flange, DIN EN 1661				
RIA 60-10S	60 mm	100 mm	100 mm	214 mm	1,18 kg
incl.:					
6x FRSV 6X12	round-head screw with short square, DIN 603				
6x SEMS 6	hexagon-nut with flange, DIN EN 1661				
RIA 60-20S	60 mm	200 mm	200 mm	314 mm	1,72 kg
incl.:					
6x FRSV 6X12	round-head screw with short square, DIN 603				
6x SEMS 6	hexagon-nut with flange, DIN EN 1661				
RIA 60-30S	60 mm	300 mm	300 mm	414 mm	2,45 kg
incl.:					
6x FRSV 6X12	round-head screw with short square, DIN 603				
6x SEMS 6	hexagon-nut with flange, DIN EN 1661				
RIA 60-10-05S	60 mm	100 mm	50 mm	164 mm	0,99 kg
incl.:					
6x FRSV 6X12	round-head screw with short square, DIN 603				
6x SEMS 6	hexagon-nut with flange, DIN EN 1661				
RIA 60-20-10S	60 mm	200 mm	100 mm	214 mm	1,39 kg
incl.:					
6x FRSV 6X12	round-head screw with short square, DIN 603				
6x SEMS 6	hexagon-nut with flange, DIN EN 1661				





Product	H	B	B2	L	G
RIA 60-30-20S	60 mm	300 mm	200 mm	314 mm	2,03 kg
incl.:					
6x FRSV 6X12	round-head screw with short square, DIN 603				
6x SEMS 6	hexagon-nut with flange, DIN EN 1661				

Hot-dip galvanized, according to BS 729 (DIN EN ISO 1461)

Product	H	B	B2	L	G
RIA 60-05F	60 mm	50 mm	50 mm	164 mm	0,98 kg
incl.:					
6x FRSV 6X12E	round-head screw with short square, DIN 603				
6x SEMS 6E	hexagon-nut with flange, DIN EN 1661				
RIA 60-10F	60 mm	100 mm	100 mm	214 mm	1,26 kg
incl.:					
6x FRSV 6X12E	round-head screw with short square, DIN 603				
6x SEMS 6E	hexagon-nut with flange, DIN EN 1661				
RIA 60-20F	60 mm	200 mm	200 mm	314 mm	1,84 kg
incl.:					
6x FRSV 6X12E	round-head screw with short square, DIN 603				
6x SEMS 6E	hexagon-nut with flange, DIN EN 1661				
RIA 60-30F	60 mm	300 mm	300 mm	414 mm	2,63 kg
incl.:					
6x FRSV 6X12E	round-head screw with short square, DIN 603				
6x SEMS 6E	hexagon-nut with flange, DIN EN 1661				
RIA 60-10-05F	60 mm	100 mm	50 mm	164 mm	1,07 kg
incl.:					
6x FRSV 6X12E	round-head screw with short square, DIN 603				
6x SEMS 6E	hexagon-nut with flange, DIN EN 1661				
RIA 60-20-10F	60 mm	200 mm	100 mm	214 mm	1,44 kg
incl.:					
6x FRSV 6X12E	round-head screw with short square, DIN 603				
6x SEMS 6E	hexagon-nut with flange, DIN EN 1661				
RIA 60-30-20F	60 mm	300 mm	200 mm	314 mm	2,12 kg
incl.:					
6x FRSV 6X12E	round-head screw with short square, DIN 603				
6x SEMS 6E	hexagon-nut with flange, DIN EN 1661				





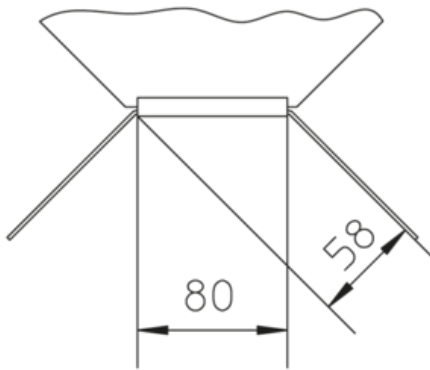
Stainless steel, according to ASTM 304 / BS 304 S 3

Product	H	B	B2	L	G
RIA 60-05E	60 mm	50 mm	50 mm	164 mm	0,81 kg
incl.: 6x FRSV 6X12E round-head screw with short square, DIN 603 6x SEMS 6E hexagon-nut with flange, DIN EN 1661					
RIA 60-10E	60 mm	100 mm	100 mm	214 mm	1,05 kg
incl.: 6x FRSV 6X12E round-head screw with short square, DIN 603 6x SEMS 6E hexagon-nut with flange, DIN EN 1661					
RIA 60-20E	60 mm	200 mm	200 mm	314 mm	1,60 kg
incl.: 6x FRSV 6X12E round-head screw with short square, DIN 603 6x SEMS 6E hexagon-nut with flange, DIN EN 1661					
RIA 60-30E	60 mm	300 mm	300 mm	414 mm	2,34 kg
incl.: 6x FRSV 6X12E round-head screw with short square, DIN 603 6x SEMS 6E hexagon-nut with flange, DIN EN 1661					
RIA 60-10-05E	60 mm	100 mm	50 mm	164 mm	0,89 kg
incl.: 6x FRSV 6X12E round-head screw with short square, DIN 603 6x SEMS 6E hexagon-nut with flange, DIN EN 1661					
RIA 60-20-10E	60 mm	200 mm	100 mm	214 mm	1,27 kg
incl.: 6x FRSV 6X12E round-head screw with short square, DIN 603 6x SEMS 6E hexagon-nut with flange, DIN EN 1661					
RIA 60-30-20E	60 mm	300 mm	200 mm	314 mm	1,91 kg
incl.: 6x FRSV 6X12E round-head screw with short square, DIN 603 6x SEMS 6E hexagon-nut with flange, DIN EN 1661					

H: height
B: width
B2: width
L: length
G: weight



DETAILS / APPLICATIONS



OPTIONAL ACCESSORIES

RAD, RIADS, VB, RTRV 60

