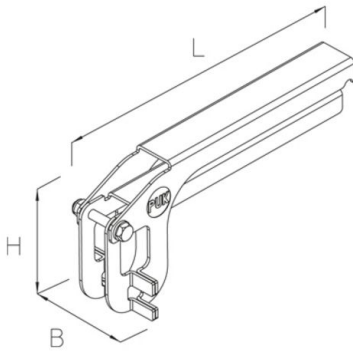


# RGVST

RGVS assembly tool

Snap connector tool for fast assembly/disassembly of the snap connector RGVS on cable trays.

The snap connector tool is made of sendzimir hot-dip galvanized steel according to DIN EN 10346, which is plastic coated.



Continuously hot galvanized (Sendzimir process) (DIN EN 10346), plastic-coated

| Product  | H     | B     | L      | t       | color                         | G       |
|----------|-------|-------|--------|---------|-------------------------------|---------|
| RGVST SB | 92 mm | 60 mm | 208 mm | 2,00 mm | light grey (similar RAL 7035) | 0,40 kg |

- H:** height
- B:** width
- L:** length
- t:** material thickness
- color:**
- G:** weight

## DETAILS / APPLICATIONS

