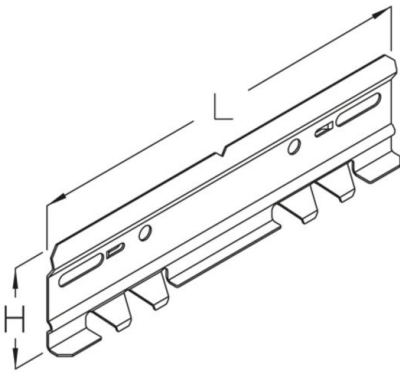


## RGVS 60

cable tray side snap connector, height = 60 mm

Flexible snap connector for variable cable tray lengths.

The side connector is only suitable for the cable trays type RG 60 and R 60.



### Continuously hot galvanized (Sendzimir process) (DIN EN 10346)

Product	H	L	G
RGVS 60S	60 mm	230 mm	0,12 kg

### Hot-dip galvanized, according to BS 729 (DIN EN ISO 1461)

Product	H	L	G
RGVS 60F	60 mm	230 mm	0,13 kg

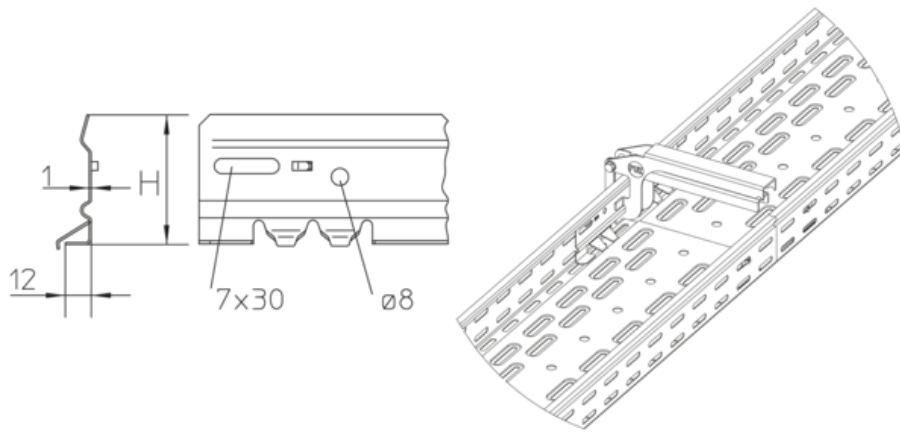
### Stainless steel, according to ASTM 31 Ti / AISI 316 L, BS 320S17 / BS 316S11

Product	H	L	G
RGVS 60E	60 mm	230 mm	0,12 kg

**H:** height  
**L:** length  
**G:** weight

## DETAILS / APPLICATIONS





## OPTIONAL ACCESSORIES

RGVST

