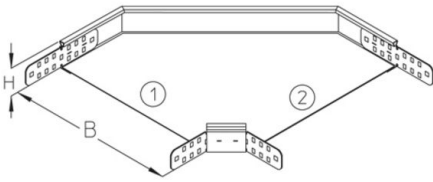


## RB 35

cable tray bend, height = 35 mm

cable tray bend 90° for horizontal change of direction with integrated connectors



### Continuously hot galvanized (Sendzimir process) (DIN EN 10346)

Product	H	B	G
RB 35-05S	35 mm	50 mm	0,33 kg
incl.: 2x KLR	clamp fastening set		
RB 35-10S	35 mm	100 mm	0,4 kg
incl.:			
RB 35-20S	35 mm	200 mm	0,7 kg
incl.:			
RB 35-30S	35 mm	300 mm	1,2 kg
incl.:			

### Hot-dip galvanized, according to BS 729 (DIN EN ISO 1461)

Product	H	B	G
RB 35-10F	35 mm	100 mm	0,4 kg
incl.:			
RB 35-20F	35 mm	200 mm	0,7 kg
incl.:			
RB 35-30F	35 mm	300 mm	1,3 kg
incl.:			
RB 35-05F	35 mm	50 mm	0,37 kg





Product	H	B	G
incl.: 2x KLR E			
	clamp fastening set		

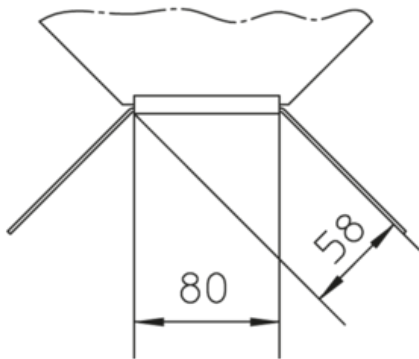
**Stainless steel, according to ASTM 304 / BS 304 S 3**

Product	H	B	G
RB 35-05E	35 mm	50 mm	0,33 kg
incl.: 2x KLR E			
	clamp fastening set		
RB 35-10E	35 mm	100 mm	0,47 kg
incl.: 2x KLR E			
	clamp fastening set		
RB 35-20E	35 mm	200 mm	0,20 kg
incl.: 2x KLR E			
	clamp fastening set		
RB 35-30E	35 mm	300 mm	1,31 kg
incl.: 2x KLR E			
	clamp fastening set		

**H:** height  
**B:** width  
**G:** weight

## DETAILS / APPLICATIONS





## OPTIONAL ACCESSORIES

VB, RBD, RBDR, RTRV 35



UL classified

