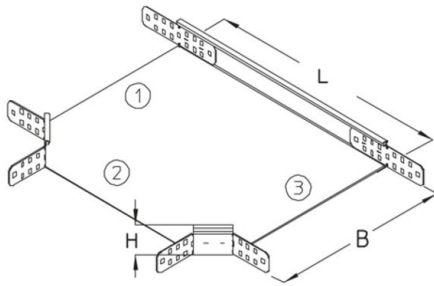


## RA 60

cable tray branch, height = 60 mm

cable tray branch in T-shape, integrated connectors

This article is available made in material No. 1.4571/1.4404 (V4A) stainless steel finish.



### Continuously hot galvanized (Sendzimir process) (DIN EN 10346)

Product	H	B	L	G
RA 60-10S	60 mm	100 mm	214 mm	1,3 kg
incl.:				
3x KLR		clamp fastening set		
RA 60-20S	60 mm	200 mm	314 mm	1,8 kg
incl.:				
3x KLR		clamp fastening set		
RA 60-30S	60 mm	300 mm	414 mm	2,6 kg
incl.:				
3x KLR		clamp fastening set		
RA 60-40S	60 mm	400 mm	514 mm	3,5 kg
incl.:				
3x KLR		clamp fastening set		
RA 60-50S	60 mm	500 mm	614 mm	5,3 kg
incl.:				
3x KLR		clamp fastening set		
RA 60-60S	60 mm	600 mm	714 mm	6,9 kg
incl.:				
3x KLR		clamp fastening set		

### Hot-dip galvanized, according to BS 729 (DIN EN ISO 1461)





Product	H	B	L	G
RA 60-10F	60 mm	100 mm	214 mm	1,4 kg
incl.: 3x KLR E		clamp fastening set		
RA 60-20F	60 mm	200 mm	314 mm	1,9 kg
incl.: 3x KLR E		clamp fastening set		
RA 60-30F	60 mm	300 mm	414 mm	2,8 kg
incl.: 3x KLR E		clamp fastening set		
RA 60-40F	60 mm	400 mm	514 mm	3,7 kg
incl.: 3x KLR E		clamp fastening set		
RA 60-50F	60 mm	500 mm	614 mm	5,7 kg
incl.: 3x KLR E		clamp fastening set		
RA 60-60F	60 mm	600 mm	714 mm	7,4 kg
incl.: 3x KLR E		clamp fastening set		

## Stainless steel, according to ASTM 304 / BS 304 S 3

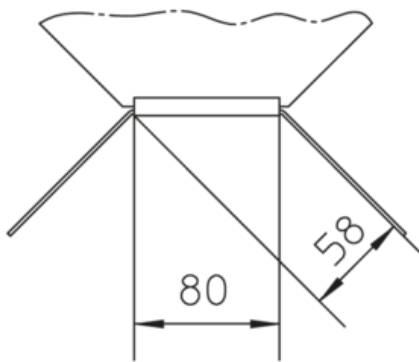
Product	H	B	L	G
RA 60-10E	60 mm	100 mm	214 mm	1,1 kg
incl.: 3x KLR E		clamp fastening set		
RA 60-20E	60 mm	200 mm	314 mm	1,6 kg
incl.: 3x KLR E		clamp fastening set		
RA 60-30E	60 mm	300 mm	414 mm	2,5 kg
incl.: 3x KLR E		clamp fastening set		
RA 60-40E	60 mm	400 mm	514 mm	3,4 kg
incl.: 3x KLR E		clamp fastening set		
RA 60-50E	60 mm	500 mm	614 mm	5,2 kg



Product	H	B	L	G
incl.: 3x KLR E				
		clamp fastening set		
RA 60-60E	60 mm	600 mm	714 mm	6,8 kg
incl.: 3x KLR E				
		clamp fastening set		

**H:** height  
**B:** width  
**L:** length  
**G:** weight

## DETAILS / APPLICATIONS



## OPTIONAL ACCESSORIES

VB, RAD, RADR, RTRV 60



UL classified

