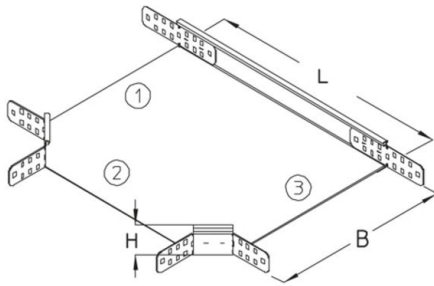


RA 35

cable tray branch, height = 35 mm

cable tray branch in T-shape, integrated connectors



Continuously hot galvanized (Sendzimir process) (DIN EN 10346)

Product	H	B	L	G
RA 35-10S	35 mm	100 mm	214 mm	0,8 kg
incl.: 3x KLR clamp fastening set				
RA 35-20S	35 mm	200 mm	314 mm	1,3 kg
incl.: 3x KLR clamp fastening set				
RA 35-30S	35 mm	300 mm	414 mm	2 kg
incl.: 3x KLR clamp fastening set				

Hot-dip galvanized, according to BS 729 (DIN EN ISO 1461)

Product	H	B	L	G
RA 35-10F	35 mm	100 mm	214 mm	0,8 kg
incl.: 3x KLR E clamp fastening set				
RA 35-20F	35 mm	200 mm	314 mm	1,4 kg
incl.: 3x KLR E clamp fastening set				
RA 35-30F	35 mm	300 mm	414 mm	2,2 kg

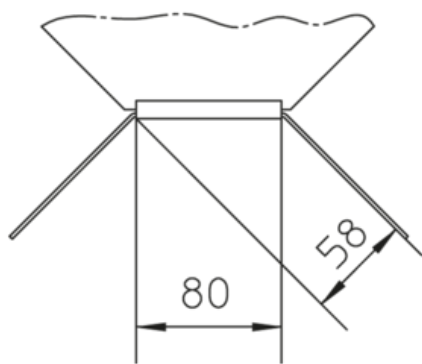




Product	H	B	L	G
incl.: 3x KLR E				clamp fastening set

H: height
B: width
L: length
G: weight

DETAILS / APPLICATIONS



OPTIONAL ACCESSORIES

VB, RAD, RADR, RTRV 35



UL classified

