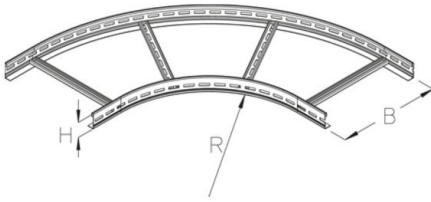


# LGIB 100

cable ladder inside bend, height = 100 mm

cable ladder inside bend 90° for horizontal change of direction



**Hot-dip galvanized, according to BS 729 (DIN EN ISO 1461)**

Product	H	B	R	G
LGIB 100-20F	100 mm	200 mm	400 mm	3,9 kg
LGIB 100-30F	100 mm	300 mm	400 mm	4,45 kg
LGIB 100-40F	100 mm	400 mm	400 mm	4,99 kg
LGIB 100-50F	100 mm	500 mm	400 mm	6,27 kg
LGIB 100-60F	100 mm	600 mm	400 mm	6,96 kg

**Stainless steel, according to ASTM 304 / BS 304 S 3**

Product	H	B	R	G
LGIB 100-20E	100 mm	200 mm	400 mm	3,67 kg
LGIB 100-30E	100 mm	300 mm	400 mm	4,18 kg
LGIB 100-40E	100 mm	400 mm	400 mm	4,7 kg
LGIB 100-50E	100 mm	500 mm	400 mm	5,9 kg
LGIB 100-60E	100 mm	600 mm	400 mm	6,55 kg

**H:** height

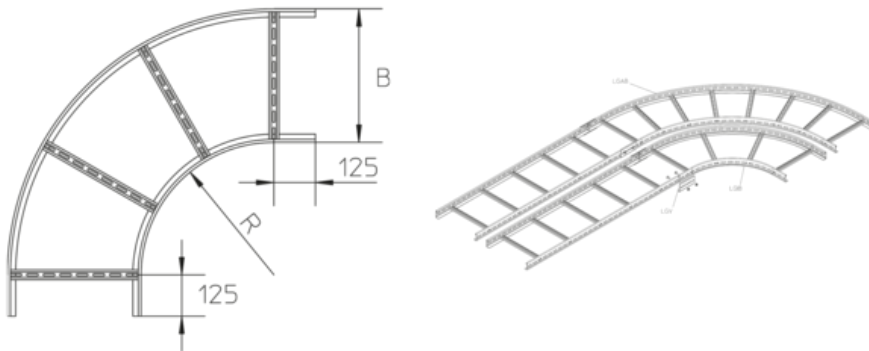
**B:** width

**R:** radius

**G:** weight



## DETAILS / APPLICATIONS



## OPTIONAL ACCESSORIES

LGV 100, LGVH 100, LGVV 100, KLU, LIBD, LIBDR, LGTRV 100



UL classified

