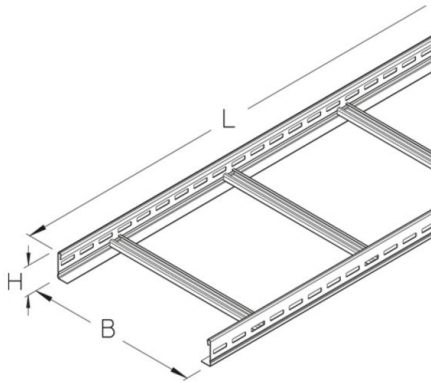


LGGS 60

cable ladder, L-profile, heavy, height = 60 mm



Heavy-duty cable ladder with continuously perforated side beams. Welded rungs made of profile rail 30x15 mm. Electrical conductivity tested according to DIN EN 61537.

This article is available made in material No. 1.4571/1.4404 (V4A) stainless steel finish.



Continuously hot galvanized (Sendzimir process) (DIN EN 10346)

Product	H	B	L	A	Q _{LK}	G
LGGS 60-20-3S	60 mm	200 mm	3000 mm	81 cm ²	0,23 kN/m	10,41 kg
LGGS 60-30-3S	60 mm	300 mm	3000 mm	122 cm ²	0,34 kN/m	11,29 kg
LGGS 60-40-3S	60 mm	400 mm	3000 mm	162 cm ²	0,45 kN/m	12,17 kg
LGGS 60-50-3S	60 mm	500 mm	3000 mm	203 cm ²	0,57 kN/m	13,06 kg
LGGS 60-60-3S	60 mm	600 mm	3000 mm	243 cm ²	0,68 kN/m	13,94 kg
LGGS 60-20S	60 mm	200 mm	6000 mm	81 cm ²	0,23 kN/m	20,81 kg
LGGS 60-30S	60 mm	300 mm	6000 mm	122 cm ²	0,34 kN/m	22,58 kg
LGGS 60-40S	60 mm	400 mm	6000 mm	162 cm ²	0,45 kN/m	24,35 kg
LGGS 60-50S	60 mm	500 mm	6000 mm	203 cm ²	0,57 kN/m	26,12 kg
LGGS 60-60S	60 mm	600 mm	6000 mm	243 cm ²	0,68 kN/m	27,89 kg

Hot-dip galvanized, according to BS 729 (DIN EN ISO 1461)

Product	H	B	L	A	Q _{LK}	G
LGGS 60-20-3F	60 mm	200 mm	3000 mm	81 cm ²	0,23 kN/m	11,13 kg
LGGS 60-30-3F	60 mm	300 mm	3000 mm	122 cm ²	0,34 kN/m	12,08 kg
LGGS 60-40-3F	60 mm	400 mm	3000 mm	162 cm ²	0,45 kN/m	13,03 kg
LGGS 60-50-3F	60 mm	500 mm	3000 mm	203 cm ²	0,57 kN/m	13,97 kg
LGGS 60-60-3F	60 mm	600 mm	3000 mm	243 cm ²	0,68 kN/m	14,92 kg
LGGS 60-20F	60 mm	200 mm	6000 mm	81 cm ²	0,23 kN/m	22,27 kg

Page 1

PUK Benelux B.V.

Meerheide 212, 5521 DW Eersel | Netherlands

Telefoon: +31 497 799 700 | Fax: +31 497 799 735 | info@pukbenelux.com | pukbenelux.com

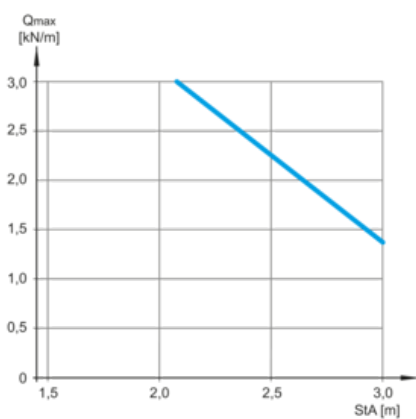
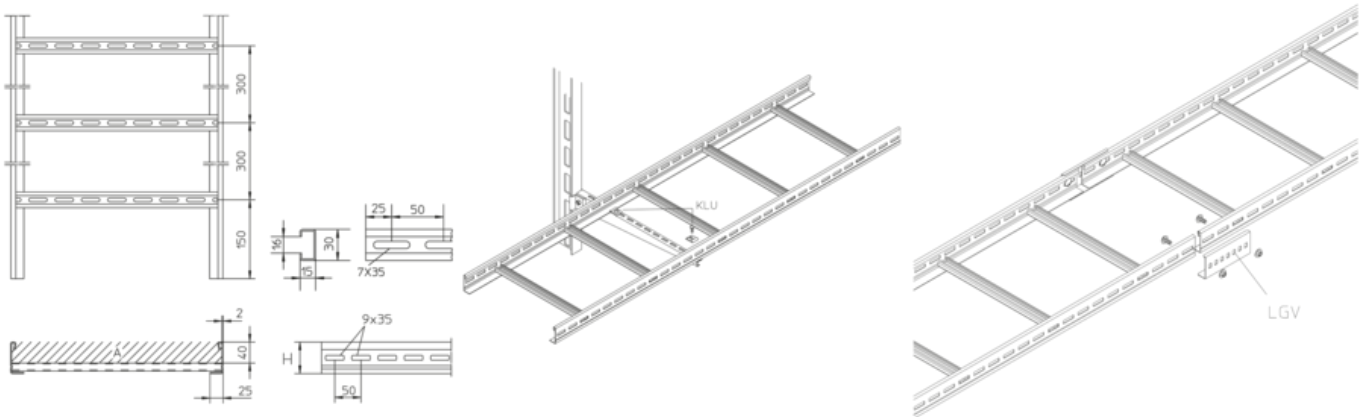


Date of issuance: 16.07.2024. Errors and technical modifications reserved.

Product	H	B	L	A	Q_{LK}	G
LGGS 60-30F	60 mm	300 mm	6000 mm	122 cm ²	0,34 kN/m	24,16 kg
LGGS 60-40F	60 mm	400 mm	6000 mm	162 cm ²	0,45 kN/m	26,05 kg
LGGS 60-50F	60 mm	500 mm	6000 mm	203 cm ²	0,57 kN/m	27,95 kg
LGGS 60-60F	60 mm	600 mm	6000 mm	243 cm ²	0,68 kN/m	29,84 kg

H: height
B: width
L: length
A: cross section area
 Q_{LK} : distributed load power cable
G: weight

DETAILS / APPLICATIONS





OPTIONAL ACCESSORIES

LGIB 60, LGAB 60, LGAA 60, LGA 60, LGK 60, LGVB 60, LGV 60, LGVH 60, LGVV 60, LGTR 60, SL 60, LGKAB, KLU, H, LD, LDR



Do not walk upon!



UL classified

