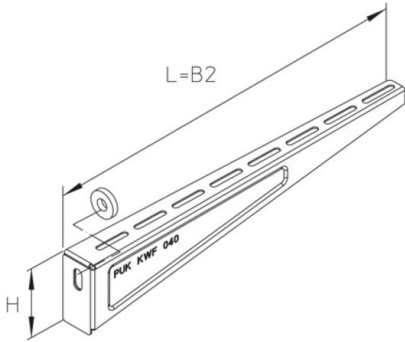


## KWF

wall/handle bracket, light-duty

Wall/handle bracket, light-duty version made of folded sheet steel. Certified according to DIN EN 61537. For mounting on walls or hanging struts.



$F_D/P$ : coefficient for calculation of the dowel load  $F_D$  with effective bracket load  $P$  respectively the sum of effective bracket loads. The load specifications are only valid with sufficient anchoring to the load-bearing substrate or with proper installation on hanging struts.

### Continuously hot galvanized (Sendzimir process) (DIN EN 10346)

Product	H	B1	B2	L	$P_{max}$	$F_D/P$	G
KWF 010S	80 mm	100 mm	120 mm	120 mm	1,2 kN	1,58	0,21 kg
incl.:							
KWF 020S	80 mm	200 mm	220 mm	220 mm	1,2 kN	2,33	0,29 kg
incl.:							
KWF 030S	80 mm	300 mm	320 mm	320 mm	1,2 kN	3,15	0,43 kg
incl.:							
KWF 040S	80 mm	400 mm	420 mm	420 mm	1,2 kN	3,99	0,50 kg
incl.:							

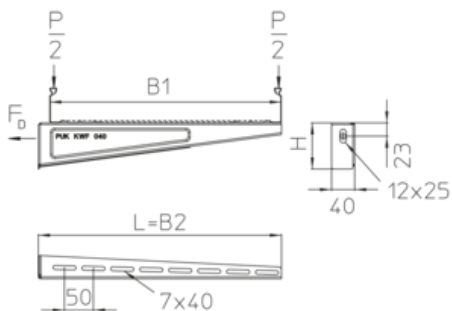
### Hot-dip galvanized, according to BS 729 (DIN EN ISO 1461)

Product	H	B1	B2	L	$P_{max}$	$F_D/P$	G
KWF 010F	80 mm	100 mm	120 mm	120 mm	1,2 kN	1,58	0,24 kg
incl.:							
KWF 020F	80 mm	200 mm	220 mm	220 mm	1,2 kN	2,33	0,32 kg
incl.:							
KWF 030F	80 mm	300 mm	320 mm	320 mm	1,2 kN	3,15	0,47 kg
incl.:							
KWF 040F	80 mm	400 mm	420 mm	420 mm	1,2 kN	3,99	0,54 kg
incl.:							



**H:** height  
**B1:** width  
**B2:** width  
**L:** length  
**P<sub>max</sub>:** Maximum load  
**F<sub>d</sub>/P:** dowel-to-anchor load  
**G:** weight

## DETAILS / APPLICATIONS



## OPTIONAL ACCESSORIES

KDU 57, KHU 57, KDU 40, KHU 40

