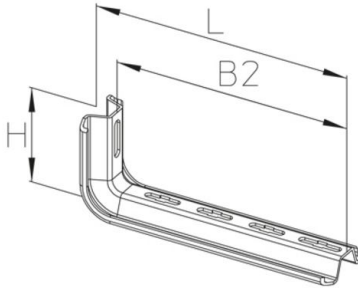


## KSL

handle bracket, light-duty



Handle bracket, light version made of W-/trapezoidal profile 60x20 mm, perforated in the center. Certified according to DIN EN 61537. For mounting on ceiling bracket KDSL. support distance max. 1.2 m.

$F_D/P$ : coefficient for calculation of the dowel load  $F_D$  with effective bracket load  $P$  respectively the sum of effective bracket loads. Load specifications only apply for mounting as wall bracket.. For ceiling mounting, use item KSLW.

**Continuously hot galvanized (Sendzimir process) (DIN EN 10346)**

Product	H	B1	B2	L	$P_{max}$	G
KSL 010S	90 mm	100 mm	120 mm	140 mm	1,3 kN	0,38 kg
incl.: 1x FRS 8X20 1x SEMS 8 round-head screw with square, DIN 603 hexagon-nut with flange, DIN EN 1661						
KSL 015S	90 mm	150 mm	170 mm	190 mm	1,0 kN	0,47 kg
incl.: 1x FRS 8X20 1x SEMS 8 round-head screw with square, DIN 603 hexagon-nut with flange, DIN EN 1661						
KSL 020S	90 mm	200 mm	220 mm	240 mm	0,9 kN	0,55 kg
incl.: 1x FRS 8X20 1x SEMS 8 round-head screw with square, DIN 603 hexagon-nut with flange, DIN EN 1661						
KSL 025S	90 mm	250 mm	270 mm	290 mm	0,7 kN	0,63 kg
incl.: 1x FRS 8X20 1x SEMS 8 round-head screw with square, DIN 603 hexagon-nut with flange, DIN EN 1661						
KSL 030S	90 mm	300 mm	320 mm	340 mm	0,6 kN	0,71 kg
incl.: 1x FRS 8X20 1x SEMS 8 round-head screw with square, DIN 603 hexagon-nut with flange, DIN EN 1661						
KSL 040S	90 mm	400 mm	420 mm	440 mm	0,5 kN	0,88 kg
incl.: 1x FRS 8X20 1x SEMS 8 round-head screw with square, DIN 603 hexagon-nut with flange, DIN EN 1661						



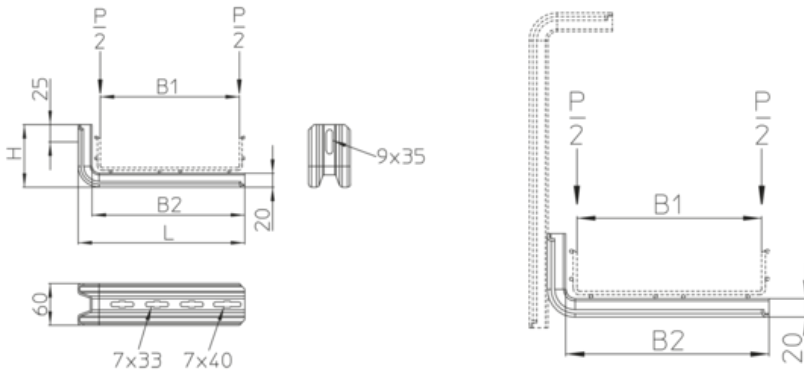
Hot-dip galvanized, according to BS 729 (DIN EN ISO 1461)

Product	H	B1	B2	L	P <sub>max</sub>	G
KSL 010F	90 mm	100 mm	120 mm	140 mm	1,3 kN	0,40 kg
incl.: 1x FRS 8X20E round-head screw with square, DIN 603 1x SEMS 8E hexagon-nut with flange, DIN EN 1661						
KSL 015F	90 mm	150 mm	170 mm	190 mm	1,0 kN	0,49 kg
incl.: 1x FRS 8X20E round-head screw with square, DIN 603 1x SEMS 8E hexagon-nut with flange, DIN EN 1661						
KSL 020F	90 mm	200 mm	220 mm	240 mm	0,9 kN	0,58 kg
incl.: 1x FRS 8X20E round-head screw with square, DIN 603 1x SEMS 8E hexagon-nut with flange, DIN EN 1661						
KSL 025F	90 mm	250 mm	270 mm	290 mm	0,7 kN	0,67 kg
incl.: 1x FRS 8X20E round-head screw with square, DIN 603 1x SEMS 8E hexagon-nut with flange, DIN EN 1661						
KSL 030F	90 mm	300 mm	320 mm	340 mm	0,6 kN	0,75 kg
incl.: 1x FRS 8X20E round-head screw with square, DIN 603 1x SEMS 8E hexagon-nut with flange, DIN EN 1661						
KSL 040F	90 mm	400 mm	420 mm	440 mm	0,5 kN	0,94 kg
incl.: 1x FRS 8X20E round-head screw with square, DIN 603 1x SEMS 8E hexagon-nut with flange, DIN EN 1661						

**H:** height  
**B1:** width  
**B2:** width  
**L:** length  
**P<sub>max</sub>:** Maximum load  
**G:** weight

## DETAILS / APPLICATIONS





## OPTIONAL ACCESSORIES

KDSL, KLRL

