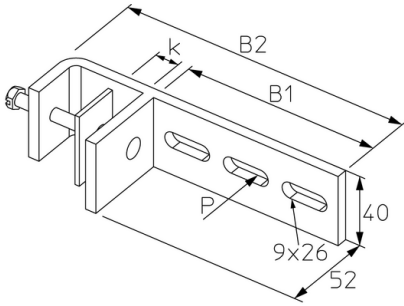


# KLUGS

Clamp mounting universal, welded, vertical

Clamp fastener, vertical, for clamping mesh cable trays and cable trays to steel girders;

Tightening torque: 10Nm



Hot-dip galvanized, according to BS 729 (DIN EN ISO 1461)

Product	H	B1	B2	t	k	P <sub>max</sub>	G
KLUGS 10F	52 mm	100 mm	149 mm	6 mm	5 – 33 mm	0,5 kN	0,457 kg
KLUGS 20F	52 mm	200 mm	249 mm	6 mm	5 – 33 mm	0,4 kN	0,621 kg
KLUGS 30F	52 mm	300 mm	349 mm	6 mm	5 – 33 mm	0,2 kN	0,789 kg

Stainless steel, according to ASTM 31 Ti / AISI 316 L, BS 320S17 / BS 316S11

Product	H	B1	B2	t	k	P <sub>max</sub>	G
KLUGS 10E	52 mm	100 mm	149 mm	6 mm	5 – 33 mm	0,5 kN	0,420 kg
KLUGS 20E	52 mm	200 mm	249 mm	6 mm	5 – 33 mm	0,4 kN	0,578 kg
KLUGS 30E	52 mm	300 mm	349 mm	6 mm	5 – 33 mm	0,2 kN	0,735 kg

**H:** height  
**B1:** width  
**B2:** width  
**t:** material thickness  
**k:** clamping range  
**P<sub>max</sub>:** Maximum load  
**G:** weight



## DETAILS / APPLICATIONS

