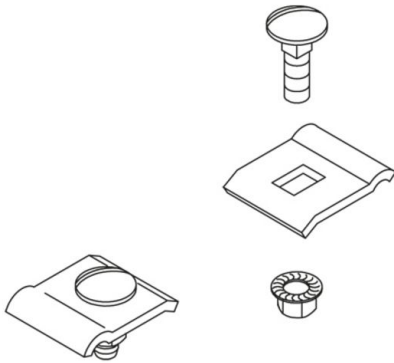


**KLU**  
clamp fastening set



galvanized, according to ISO 19598 / ISO 2081

Product	G
KLU	4,00 kg/100
incl.:	
2x FRSV 6X16	round-head screw with short square, DIN 603
2x SEMS 6	hexagon-nut with flange, DIN EN 1661

Hot-dip galvanized, according to BS 729 (DIN EN ISO 1461)

Product	G
KLU F	4,40 kg/100
incl.:	
2x FRSV 6X16E	round-head screw with short square, DIN 603
2x SEMS 6E	hexagon-nut with flange, DIN EN 1661

Stainless steel, according to ASTM 304 / BS 304 S 3

Product	G
KLU E	4,60 kg/100
incl.:	
2x FRSV 6X16E	round-head screw with short square, DIN 603
2x SEMS 6E	hexagon-nut with flange, DIN EN 1661





Stainless steel, according to ASTM 31 Ti / AISI 316 L, BS 320S17 / BS 316S11

Product	G
KLU E4	4,40 kg/100
incl:	
2x FKS 6X16E4	slotted cylinder head screw, DIN EN ISO 1580
2x SEM 6E4	hexagon-nut, DIN 934

**G:** weight

