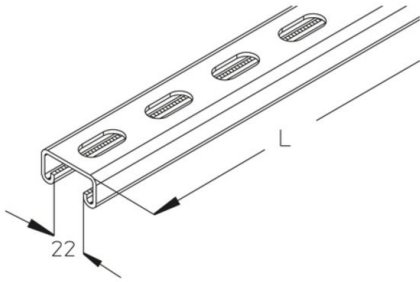


# KHAR 21

profile rail, 41x21 mm, perforated, serrated

c-rail, as profile 41x21x2.5 mm, continuously perforated, slot size 22 mm serrated

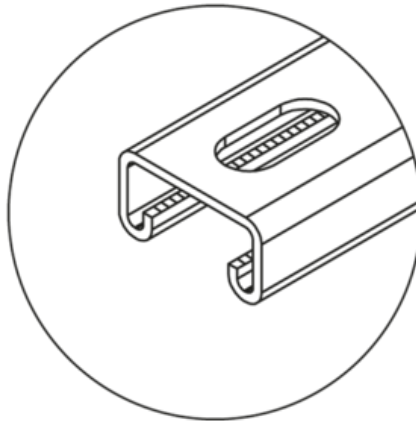
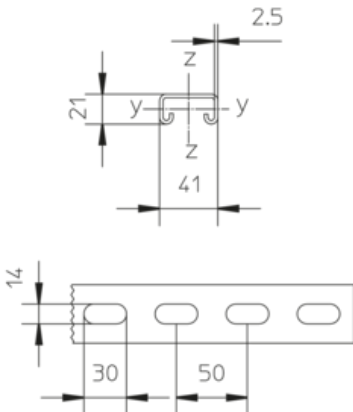


**Stainless steel, according to ASTM 31 Ti / AISI 316 L, BS 320S17 / BS 316S11**

Product	H	B	L	t	G
KHAR 21-6000-316	21 mm	41 mm	6000 mm	2,50 mm	9,95 kg

**H:** height  
**B:** width  
**L:** length  
**t:** material thickness  
**G:** weight

## DETAILS / APPLICATIONS





## OPTIONAL ACCESSORIES

AM22, RUS 41, SA 1, SAI 21

