



KDU 40

bracket support, 40x30 mm Maintenance of function - Standard support structures

Ceiling bracket support, U-profile 40x30x2 mm, continuously three-way perforated, with welded head plate (material thickness t), certified according to DIN EN 61537.

This article is available made in material No. 1.4571/1.4404 (V4A) stainless steel finish. The products can be used for fire protection. This product is only to be used in conjunction with the cable tray for standard support construction. For technical parameters, see National Technical Test Certificates (abPs).

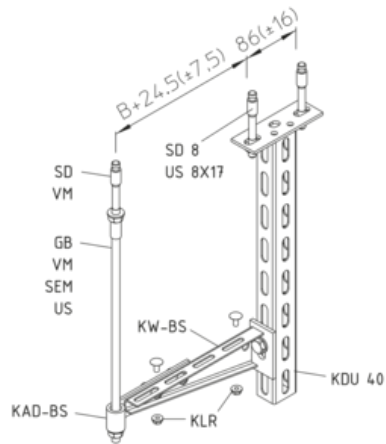
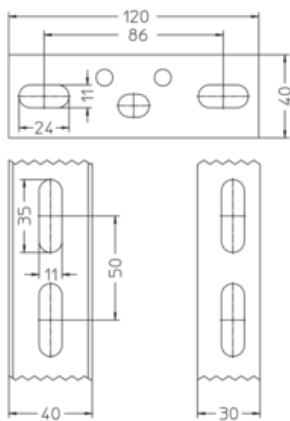
Hot-dip galvanized, according to BS 729 (DIN EN ISO 1461)

Product	L	t	G
KDU 40-02F	200 mm	4,00 mm	0,38 kg
KDU 40-03F	300 mm	4,00 mm	0,50 kg
KDU 40-04F	400 mm	4,00 mm	0,62 kg
KDU 40-05F	500 mm	4,00 mm	0,73 kg
KDU 40-06F	600 mm	4,00 mm	0,86 kg
KDU 40-07F	700 mm	4,00 mm	0,98 kg
KDU 40-08F	800 mm	4,00 mm	1,10 kg
KDU 40-09F	900 mm	4,00 mm	1,22 kg
KDU 40-10F	1000 mm	4,00 mm	1,34 kg
KDU 40-11F	1100 mm	4,00 mm	1,46 kg
KDU 40-12F	1200 mm	4,00 mm	1,58 kg
KDU 40-13F	1300 mm	4,00 mm	1,70 kg
KDU 40-14F	1400 mm	4,00 mm	1,82 kg
KDU 40-15F	1500 mm	4,00 mm	1,94 kg

L: length
t: material thickness
G: weight



DETAILS / APPLICATIONS



OPTIONAL ACCESSORIES

KW-BS, KHUSS 40 , SD, SAZ

