

## KDSL

bracket support, light-duty bracket support

Ceiling bracket, light version made of W-/trapezoidal profile 60x20x2.5 mm, perforated in the center. Certified according to DIN EN 61537. For mounting on horizontal ceilings. support distance max. 1.2 m.

$F_D/P$ : coefficient for calculation of the dowel load  $F_D$  with effective bracket load  $P$  respectively the sum of effective bracket loads. Load specifications only apply for mounting as ceiling bracket. The spacer KSL-SP must be fitted when installing the ceiling to prevent deformation of the profile due to frictional locking of the fastening screw.

### Continuously hot galvanized (Sendzimir process) (DIN EN 10346)

Product	H	L	t	G
KDSL 010S	90 mm	140 mm	2,5 mm	0,39 kg
incl.:				
KDSL 015S	90 mm	190 mm	2,5 mm	0,48 kg
incl.:				
KDSL 020S	90 mm	240 mm	2,5 mm	0,56 kg
incl.:				

### Hot-dip galvanized, according to BS 729 (DIN EN ISO 1461)

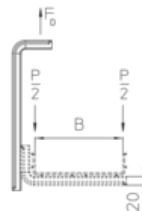
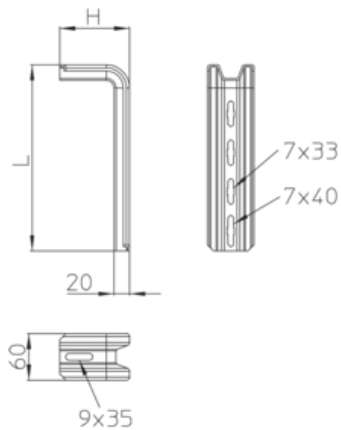
Product	H	L	t	G
KDSL 015F	90 mm	190 mm	2,5 mm	0,50 kg
incl.:				
KDSL 020F	90 mm	240 mm	2,5 mm	0,59 kg
incl.:				
KDSL 025F	90 mm	290 mm	2,5 mm	0,68 kg
incl.:				
KDSL 030F	90 mm	340 mm	2,5 mm	0,76 kg
incl.:				
KDSL 040F	90 mm	440 mm	2,5 mm	0,95 kg
incl.:				



Product	H	L	t	G
incl.:				
KDSL 050F	90 mm	540 mm	2,5 mm	1,13 kg
incl.:				
KDSL 060F	90 mm	640 mm	2,5 mm	1,29 kg
incl.:				

**H:** height  
**L:** length  
**t:** material thickness  
**G:** weight

## DETAILS / APPLICATIONS



B	L <sub>k</sub>	P <sub>max</sub>	F <sub>D</sub> /P
mm	mm	kN	
100	140	1,8	3,4
150	190	1,4	4,1
200	240	1,1	4,8
250	290	1,0	5,5
300	340	0,8	6,2
400	440	0,6	7,6

## OPTIONAL ACCESSORIES

KSL, SD

